



[www.vsphighmast.com](http://www.vsphighmast.com)

# Lighting The World

**PRODUCT EXPLORER (W.E.F. 01.08.2021)**



## About us...

Last two generations of hard work, determination commitments to quality have allowed us to become the large group in pole manufacturing industry in India.

We established our first company in 1994, as an Electric Control Panel manufacturer, adding swaged tubular poles in 1998, then octagonal and High Mast in 2005. Today we offer a wide range of Decorative Poles and LED Lighting Luminaries in India.

With Almost 27 years of Excellence VSTP is a well known Brand for pole manufacturing in India, we are delivering quality products to Govt., Semi Govt., Industries, Ware Houses, Housing Societies, Fuel Filling Stations & Private Sectors in all India in the name of Vipin S.T. Poles Pvt. Ltd. Also we are approved vendors of Crompton (CGCEL), Havells, Kesslec, Pyrotech, Reliance & Honey Well etc.

We are manufacturers of quality products as per their quality norms. We have enrich with High Class Machineries in house like – CNC Plazma Cutting Machine, CNC Press Brake, CNC Pole Closing SAW Welding Machine and other different type of Machine used in Decorative Poles & Luminaries manufacturing & also we have a great team of experienced and qualified engineers. WE have in house design and R&D Department for new design development time to time. Some of those designs are in this catalog cum Price List.

From Octagonal Poles to Decorative Poles & LED Street Light Luminaries to Flood Light Luminaries we have wide range of products for our customers & On-Time delivery, wherever-whenever you want and also we manufacture as per customer requirement or designs also.

About us...

# Content

## Content

| Sr. No. | Particulars  | Page No. |
|---------|--|----------|
| 1.      | Post Top LED Luminaires                                | 2-8      |
| 2.      | Drop Down LED Luminaires                               | 9-12     |
| 3.      | LED Street Lights                                      | 13-16    |
| 4.      | LED Flood Lights                                       | 17-19    |
| 5.      | Bollard Luminaires                                     | 20-25    |
| 6.      | Landscape Lighting                                     | 26       |
| 7.      | Cast Aluminum/ Cast Iron & Ornamental Decorative Poles | 27-59    |
| 8.      | Decorative Bracket                                     | 60-72    |
| 9.      | Approvals  | 73-74    |
| 10.     | ISO Certificate  | 74       |




# ***POST TOP LUMINAIRES***





# DECORATIVE POST TOP LED LUMINAIRES

Lighting The World 

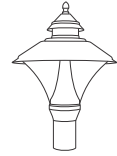


## POST TOP LED LUMINAIRES IP 65/66



| CAT No.      | Wattage | Pipe Dia. | M.R.P (Rs.) |
|--------------|---------|-----------|-------------|
| VSTP PT 0130 | 30 w    | 60        | 7570.00     |

VSTP Lighting - Post Top LED Luminaires are made of Aluminium Housing duly Powder Coated/ Polyurethane Painted with Frosted diffuser.



| CAT No.      | HOLDER | M.R.P (Rs.) |
|--------------|--------|-------------|
| VSTP PT 0212 | B-22   | 2140.00     |

VSTP Lighting - Post Top LED Luminaires are made of Aluminium Die Casting and Polycarbonate duly Powder Coated/ Polyurethane Painted.



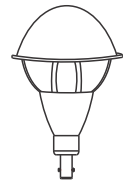
| CAT No.      | HOLDER | M.R.P (Rs.) |
|--------------|--------|-------------|
| VSTP PT 0318 | B-22   | 3150.00     |
| VSTP PT 0336 | B-22   | 4820.00     |

VSTP Lighting - Post Top LED Luminaires are made of Aluminium Die Casting and Polycarbonate duly Powder Coated/ Polyurethane Painted.



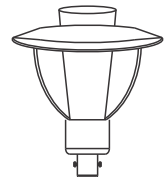
| CAT No.      | HOLDER | M.R.P (Rs.) |
|--------------|--------|-------------|
| VSTP PT 0412 | B-22   | 3460.00     |
| VSTP PT 0418 | B-22   | 5410.00     |

VSTP Lighting - Post Top LED Luminaires are made of Aluminium Die Casting and Polycarbonate duly Powder Coated/ Polyurethane Painted.



| CAT No.      | HOLDER | M.R.P (Rs.) |
|--------------|--------|-------------|
| VSTP PT 0518 | B-22   | 3860.00     |
| VSTP PT 0536 | B-22   | 5840.00     |

VSTP Lighting - Post Top LED Luminaires are made of Aluminium Die Casting and Polycarbonate duly Powder Coated/ Polyurethane Painted.



# DECORATIVE POST TOP LED LUMINAIRES

Lighting The World 



## POST TOP LED LUMINAIRES IP 65/66



| CAT No.      | HOLDER | M.R.P (Rs.) |
|--------------|--------|-------------|
| VSTP PT 0612 | B-22   | 3100.00     |
| VSTP PT 0618 | B-22   | 4860.00     |

VSTP Lighting - Post Top LED Luminaires are made of Aluminium Die Casting and Polycarbonate duly Powder Coated/ Polyurethane Painted.



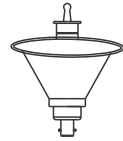
| CAT No.      | HOLDER | M.R.P (Rs.) |
|--------------|--------|-------------|
| VSTP PT 0718 | E-24   | 3260.00     |
| VSTP PT 0736 | E-24   | 4900.00     |

VSTP Lighting - Post Top LED Luminaires are made of Aluminium Die Casting and Polycarbonate duly Powder Coated/ Polyurethane Painted.



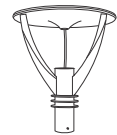
| CAT No.      | HOLDER | M.R.P (Rs.) |
|--------------|--------|-------------|
| VSTP PT 0818 | E-24   | 2950.00     |
| VSTP PT 0836 | E-24   | 4860.00     |

VSTP Lighting - Post Top LED Luminaires are made of Aluminium Die Casting and Polycarbonate duly Powder Coated/ Polyurethane Painted.



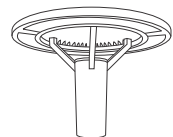
| CAT No.      | Wattage | Pipe Dia. | M.R.P (Rs.) |
|--------------|---------|-----------|-------------|
| VSTP PT 0940 | 40 w    | 60/75     | 23000.00    |
| VSTP PT 0950 | 50 w    | 60/75     | 26800.00    |

VSTP Lighting- Post Top LED Luminaires are made of Aluminium Top & Mild Steel base with triple arm duly powder coated/Poly Polyurethane painted with aluminium diffuser.




| CAT No.      | Wattage | Pipe Dia. | M.R.P (Rs.) |
|--------------|---------|-----------|-------------|
| VSTP PT 1040 | 40 w    | 60/75     | 37800.00    |
| VSTP PT 1060 | 60 w    | 60/75     | 38850.00    |

VSTP Lighting- Post Top LED Luminaires are made of Aluminium Die Casting and Polycarbonate duly Powder Coated/ Polyurethane Painted.



# DECORATIVE POST TOP LED LUMINAIRES

Lighting The World 



## POST TOP LED LUMINAIRES IP 65/66



| CAT No.       | Wattage | Pipe Dia. | M.R.P. (Rs.) |
|---------------|---------|-----------|--------------|
| VSTP PT 11E27 | E 27    | 50/60     | 9210.00      |
| VSTP PT 1125  | 25 w    | 50/60     | 14900.00     |
| VSTP PT 1140  | 40 w    | 50/60     | 16280.00     |

VSTP Lighting - Post Top LED Luminaires are made of Aluminium Housing duly Powder Coated/ Polyurethane Painted with Frosted diffuser & sturdy triple arm.



| CAT No.       | Wattage | Pipe Dia. | M.R.P. (Rs.) |
|---------------|---------|-----------|--------------|
| VSTP PT 12E27 | E27     | 60        | 7850.00      |
| VSTP PT 1225  | 25 w    | 60        | 14100.00     |
| VSTP PT 1245  | 45 w    | 60        | 16700.00     |

VSTP Lighting - Post Top LED Luminaires are made of Aluminium Housing duly Powder Coated/ Polyurethane Painted with Frosted diffuser & sturdy four arm.



| CAT No.       | Wattage | Pipe Dia. | M.R.P. (Rs.) |
|---------------|---------|-----------|--------------|
| VSTP PT 13E27 | E 27    | 60        | 9200.00      |
| VSTP PT 1325  | 25 w    | 60        | 14860.00     |
| VSTP PT 1340  | 40 w    | 60        | 16280.00     |

VSTP Lighting - Post Top LED Luminaires are made of Aluminium Housing duly Powder Coated/ Polyurethane Painted with Frosted diffuser & sturdy triple arm.



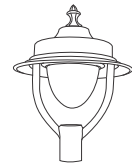
| CAT No.       | Wattage | Pipe Dia. | M.R.P. (Rs.) |
|---------------|---------|-----------|--------------|
| VSTP PT 14E27 | E 27    | 50/60     | 13575.00     |
| VSTP PT 1440  | 40 w    | 50/60     | 20670.00     |
| VSTP PT 1450  | 50 w    | 50/60     | 21310.00     |
| VSTP PT 1475  | 70 w    | 50/60     | 23700.00     |

VSTP Lighting - Post Top LED Luminaires are made of Aluminium Housing duly Powder Coated/ Polyurethane Painted with Frosted diffuser & sturdy triple arm.



| CAT No.       | Wattage | Pipe Dia. | M.R.P. (Rs.) |
|---------------|---------|-----------|--------------|
| VSTP PT 15E27 | E 27    | 60        | 11450.00     |
| VSTP PT 1525  | 25 w    | 60        | 17150.00     |
| VSTP PT 1530  | 30 w    | 60        | 18300.00     |
| VSTP PT 1540  | 40 w    | 60        | 19800.00     |

VSTP Lighting - Post Top LED Luminaires are made of Aluminium Housing with Frosted diffuser and Polycarbonate duly Powder Coated/ Polyurethane Painted with High Power LED.



## POST TOP LED LUMINAIRES IP 65/66



| CAT No.       | Wattage | Pipe Dia. | M.R.P (Rs.) |
|---------------|---------|-----------|-------------|
| VSTP PT 16E27 | E 27    | 60        | 13710.00    |
| VSTP PT 1640  | 40 w    | 60        | 21100.00    |
| VSTP PT 1650  | 50 w    | 60        | 22400.00    |
| VSTP PT 1660  | 60 w    | 60        | 23100.00    |
| VSTP PT 1675  | 75 w    | 60        | 23850.00    |



VSTP Lighting - Post Top LED Luminaires are made of Aluminium Housing duly Powder Coated/ Polyurethane Painted with Frosted diffuser & sturdy four arm.



| CAT No.      | Wattage | Pipe Dia. | M.R.P (Rs.) |
|--------------|---------|-----------|-------------|
| VSTP PT 1740 | 40 w    | 60/75     | 38400.00    |
| VSTP PT 1750 | 50 w    | 60/75     | 39400.00    |
| VSTP PT 1760 | 60 w    | 60/75     | 40600.00    |
| VSTP PT 1775 | 75 w    | 60/75     | 42130.00    |
| VSTP PT 1790 | 90 w    | 60/75     | 43610.00    |



VSTP Lighting - Post Top LED Luminaires are made of Aluminium Housing duly Powder Coated/ Polyurethane Painted with Frosted diffuser & sturdy triple arm.



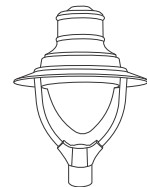
| CAT No.       | Wattage | Pipe Dia. | M.R.P (Rs.) |
|---------------|---------|-----------|-------------|
| VSTP PT 18E27 | E 27    | 60/75     | 15500.00    |
| VSTP PT 1840  | 40 w    | 60/75     | 22000.00    |
| VSTP PT 1850  | 50 w    | 60/75     | 23400.00    |
| VSTP PT 1875  | 75 w    | 60/75     | 25140.00    |
| VSTP PT 1890  | 90 w    | 60/75     | 25500.00    |
| VSTP PT 18120 | 120 w   | 60/75     | 27900.00    |



VSTP Lighting- Post Top LED Luminaires are made of Aluminium Housing with Frosted diffuser and Polycarbonate duly Powder Coated/ Polyurethane Painted with High Power LED.




| CAT No.       | Wattage | Pipe Dia. | M.R.P (Rs.) |
|---------------|---------|-----------|-------------|
| VSTP PT 19E27 | E 27    | 60/75     | 24700.00    |
| VSTP PT 1940  | 40 w    | 60/75     | 31650.00    |
| VSTP PT 1950  | 50 w    | 60/75     | 32800.00    |
| VSTP PT 1975  | 72 w    | 60/75     | 35450.00    |
| VSTP PT 1990  | 90 w    | 60/75     | 35200.00    |
| VSTP PT 19120 | 120 w   | 60/75     | 39050.00    |



VSTP Lighting - Post Top LED Luminaires are made of Aluminium Housing with Frosted diffuser and Polycarbonate duly Powder Coated/ Polyurethane Painted with High Power LED.

# DECORATIVE POST TOP LED LUMINAIRES

Lighting The World 



## POST TOP LED LUMINAIRES IP 65/66



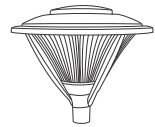
| CAT No.       | Wattage | Pipe Dia. | M.R.P (Rs.) |
|---------------|---------|-----------|-------------|
| VSTP PT 2040  | 40 w    | 60/75     | 36200.00    |
| VSTP PT 2060  | 60 w    | 60/75     | 38200.00    |
| VSTP PT 2075  | 75 w    | 60/75     | 40400.00    |
| VSTP PT 20100 | 100 w   | 60/75     | 42050.00    |

VSTP Lighting - Post Top LED Luminaires are made of Aluminium Housing duly Powder Coated/ Polyurethane Painted with Frosted diffuser & sturdy single arm.



| CAT No.       | Wattage | Pipe Dia. | M.R.P (Rs.) |
|---------------|---------|-----------|-------------|
| VSTP PT 21E27 | E 27    | 60/75     | 11100.00    |
| VSTP PT 2125  | 25 w    | 60/75     | 16650.00    |
| VSTP PT 2140  | 40 w    | 60/75     | 18000.00    |
| VSTP PT 2160  | 60 w    | 60/75     | 20800.00    |

VSTP Lighting - Post Top LED Luminaires are made of Aluminium Housing duly Powder Coated/ Polyurethane Painted with Frosted diffuser & sturdy triple arm.



| CAT No.       | Wattage | Pipe Dia. | M.R.P (Rs.) |
|---------------|---------|-----------|-------------|
| VSTP PT 2250  | 50 w    | 60        | 70400.00    |
| VSTP PT 2275  | 75 w    | 60        | 72000.00    |
| VSTP PT 2290  | 90 w    | 60        | 73400.00    |
| VSTP PT 22120 | 120 w   | 60        | 77200.00    |

VSTP Lighting - Post Top LED Luminaires are made of Aluminium Housing duly Powder Coated/ Polyurethane Painted with Frosted diffuser & sturdy four arm.



| CAT No.       | Wattage | Pipe Dia. | M.R.P (Rs.) |
|---------------|---------|-----------|-------------|
| VSTP PT 2340  | 40 w    | 60/75     | 37300.00    |
| VSTP PT 2360  | 60 w    | 60/75     | 39180.00    |
| VSTP PT 2375  | 75 w    | 60/75     | 43200.00    |
| VSTP PT 23100 | 100 w   | 60/75     | 44800.00    |

VSTP Lighting - Post Top LED Luminaires are made of Aluminium Housing duly Powder Coated/ Polyurethane Painted with Frosted diffuser & sturdy twin arm.



| CAT No.       | Wattage | Pipe Dia. | M.R.P (Rs.) |
|---------------|---------|-----------|-------------|
| VSTP PT 24E27 | E 27    | 60        | 22600.00    |
| VSTP PT 2440  | 40 w    | 60        | 29800.00    |
| VSTP PT 2460  | 60 w    | 60        | 32200.00    |
| VSTP PT 2475  | 75 w    | 60        | 34100.00    |

VSTP Lighting - Post Top LED Luminaires are made of Aluminium Housing duly Powder Coated/ Polyurethane Painted with Frosted diffuser & sturdy six arm.



# DECORATIVE POST TOP LED LUMINAIRES

Lighting The World 

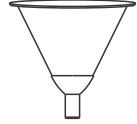


## POST TOP LED LUMINAIRES IP 65/66



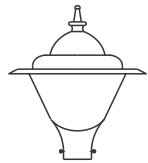
| CAT No.      | HOLDER | M.R.P (Rs.) |
|--------------|--------|-------------|
| VSTP PT 2525 | B-22   | 2950.00     |
| VSTP PT 2536 | B-22   | 4400.00     |
| VSTP PT 2545 | B-22   | 6700.00     |

VSTP Lighting - Post Top LED Luminaires are made of Aluminium Die Casting and Polycarbonate dully Powder Coated/ Polyurethane Painted.



| CAT No.      | HOLDER | M.R.P (Rs.) |
|--------------|--------|-------------|
| VSTP PT 2612 | B-22   | 2800.00     |
| VSTP PT 2618 | B-22   | 4200.00     |
| VSTP PT 2636 | B-22   | 6535.00     |

VSTP Lighting - Post Top LED Luminaires are made of Aluminium Housing dully Powder Coated/ Polyurethane Painted with Frosted diffuser.




# ***DROP DOWN LUMINAIRES***





# DECORATIVE DROP DOWN LED LUMINAIRES

Lighting The World 



## DROP DOWN LED LUMINAIRES IP 65/66



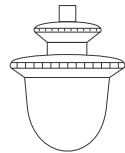
| CAT No.      | Wattage | M.R.P (Rs.) |
|--------------|---------|-------------|
| VSTP DL 0150 | 50 w    | 42100.00    |
| VSTP DL 0160 | 60 w    | 42450.00    |
| VSTP DL 0172 | 72 w    | 44500.00    |
| VSTP DL 0190 | 90 w    | 46100.00    |



VSTP Lighting - Drop Down LED Luminaires are made of Aluminium housing duly Powder Coated/ Polyurethane Painted with High Power LED.



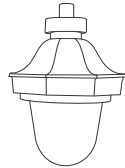
| CAT No.       | Wattage | M.R.P (Rs.) |
|---------------|---------|-------------|
| VSTP DL 02E27 | E 27    | 5825.00     |
| VSTP DL 0225  | 25 w    | 11425.00    |
| VSTP DL 0250  | 50 w    | 13550.00    |
| VSTP DL 0260  | 60 w    | 14100.00    |



VSTP Lighting - Drop Down LED Luminaires are made of Aluminium housing duly Powder Coated/ Polyurethane Painted with High Power LED.



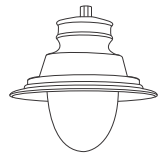
| CAT No.       | Wattage | M.R.P (Rs.) |
|---------------|---------|-------------|
| VSTP DL 03E27 | E 27    | 18400.00    |
| VSTP DL 0340  | 40 w    | 26600.00    |
| VSTP DL 0360  | 60 w    | 27950.00    |
| VSTP DL 0375  | 75 w    | 28450.00    |



VSTP Lighting - Drop Down LED Luminaires are made of Aluminium housing duly Powder Coated/ Polyurethane Painted with High Power LED.



| CAT No.       | Wattage | M.R.P (Rs.) |
|---------------|---------|-------------|
| VSTP DL 0440  | 40 w    | 20700.00    |
| VSTP DL 0460  | 60 w    | 22900.00    |
| VSTP DL 0475  | 75 w    | 23800.00    |
| VSTP DL 0490  | 90 w    | 23950.00    |
| VSTP DL 04120 | 120 w   | 25600.00    |

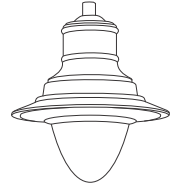


VSTP Lighting - Drop Down LED Luminaires are made of Aluminium housing duly Powder Coated/ Polyurethane Painted with High Power LED.

## DROP DOWN LED LUMINAIRES IP 65/66



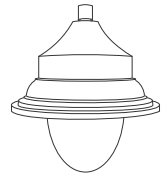
| CAT No.       | Wattage | M.R.P (Rs.) |
|---------------|---------|-------------|
| VSTP DL 05E27 | E 27    | 21100.00    |
| VSTP DL 0540  | 40 w    | 28150.00    |
| VSTP DL 0550  | 50 w    | 29410.00    |
| VSTP DL 0575  | 75 w    | 31500.00    |
| VSTP DL 0590  | 90 w    | 32600.00    |
| VSTP DL 05120 | 120 w   | 33700.00    |



VSTP Lighting - Drop Down LED Luminaires are made of Aluminium housing duly Powder Coated/ Polyurethane Painted with High Power LED.



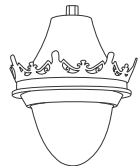
| CAT No.       | Wattage | M.R.P (Rs.) |
|---------------|---------|-------------|
| VSTP DL 06E27 | E 27    | 11950.00    |
| VSTP DL 0640  | 40 w    | 19100.00    |
| VSTP DL 0650  | 50 w    | 19800.00    |
| VSTP DL 0660  | 60 w    | 20180.00    |
| VSTP DL 0672  | 72 w    | 21200.00    |
| VSTP DL 0690  | 90 w    | 23000.00    |



VSTP Lighting - Drop Down LED Luminaires are made of Aluminium housing duly Powder Coated/ Polyurethane Painted with High Power LED.



| CAT No.       | Wattage | M.R.P (Rs.) |
|---------------|---------|-------------|
| VSTP DL 0740  | 40 w    | 29800.00    |
| VSTP DL 0760  | 60 w    | 30500.00    |
| VSTP DL 0775  | 75 w    | 33250.00    |
| VSTP DL 07100 | 100 w   | 34350.00    |
| VSTP DL 07120 | 120 w   | 36400.00    |
| VSTP DL 07150 | 150 w   | 38850.00    |



VSTP Lighting - Drop Down LED Luminaires are made of Aluminium housing duly Powder Coated/ Polyurethane Painted with High Power LED.



| CAT No.      | Wattage | M.R.P (Rs.) |
|--------------|---------|-------------|
| VSTP DL 0825 | 25 w    | 13850.00    |
| VSTP DL 0840 | 40 w    | 15500.00    |
| VSTP DL 0845 | 45 w    | 17100.00    |

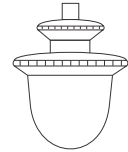


VSTP Lighting - Drop Down LED Luminaires are made of Aluminium housing duly Powder Coated/ Polyurethane Painted with High Power LED.

## DROP DOWN LED LUMINAIRES IP 65/66



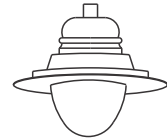
| CAT No.       | Wattage | M.R.P (Rs.) |
|---------------|---------|-------------|
| VSTP DL 09E27 | E 27    | 9200.00     |
| VSTP DL 0940  | 40 w    | 17000.00    |
| VSTP DL 0950  | 50 w    | 17940.00    |
| VSTP DL 0960  | 60 w    | 18220.00    |
| VSTP DL 0990  | 90 w    | 19520.00    |
| VSTP DL 09120 | 120 w   | 20200.00    |



VSTP Lighting - Drop Down LED Luminaires are made of Aluminium housing duly Powder Coated/ Polyurethane Painted with High Power LED.



| CAT No.       | Wattage | M.R.P (Rs.) |
|---------------|---------|-------------|
| VSTP DL 1040  | 40 w    | 11900.00    |
| VSTP DL 1060  | 60 w    | 12950.00    |
| VSTP DL 1072  | 72 w    | 13940.00    |
| VSTP DL 1090  | 90 w    | 15300.00    |
| VSTP DL 10100 | 100 w   | 16320.00    |
| VSTP DL 10120 | 120 w   | 19700.00    |



VSTP Lighting - Post Top LED Luminaires are made of Aluminium Die Casting and Polycarbonate duly Powder Coated/ Polyurethane Painted with High Power LED.



| CAT No.       | Wattage | M.R.P (Rs.) |
|---------------|---------|-------------|
| VSTP DL 11E27 | E27 w   | 17300.00    |
| VSTP DL 1160  | 60 w    | 20100.00    |
| VSTP DL 1175  | 75 w    | 21650.00    |
| VSTP DL 1190  | 90 w    | 21850.00    |
| VSTP DL 11100 | 100 w   | 22400.00    |
| VSTP DL 11120 | 120 w   | 24500.00    |



VSTP Lighting - Drop Down LED Luminaires are made of Aluminium housing duly Powder Coated/ Polyurethane Painted with High Power LED.



| CAT No.       | Wattage | M.R.P (Rs.) |
|---------------|---------|-------------|
| VSTP DL 12E27 | E27     | 10250.00    |
| VSTP DL 1240  | 40 w    | 17200.00    |



VSTP Lighting - Drop Down LED Luminaires are made of Aluminium housing duly Powder Coated/ Polyurethane Painted with High Power LED.

# ***STREET LIGHTING***



## LED STREET LIGHT

### SWAN-I



| CAT No.      | Wattage | Pipe Diameter (mm) | M.R.P (Rs.) |
|--------------|---------|--------------------|-------------|
| VSTP SL 0120 | 20 w    | 39                 | 2290.00     |
| VSTP SL 0125 | 25 w    | 39                 | 2525.00     |
| VSTP SL 0130 | 30 w    | 39                 | 2580.00     |

Street Light Fixture made out of pressure die cast Aluminium housing with front opening toughened glass IP 66 with highly efficient LED.  
System Efficacy :- 110 LM/W



### SWAN-II



| CAT No.      | Wattage | Pipe Diameter (mm) | M.R.P (Rs.) |
|--------------|---------|--------------------|-------------|
| VSTP SL 0230 | 30 w    | 43                 | 3470.00     |
| VSTP SL 0236 | 36 w    | 43                 | 3530.00     |
| VSTP SL 0245 | 45 w    | 43                 | 3785.00     |

Street Light Fixture made out of pressure die cast Aluminium housing with front opening toughened glass IP 66 with highly efficient LED.  
System Efficacy :- 110 LM/W



### SWAN-III



| CAT No.      | Wattage | Pipe Diameter (mm) | M.R.P (Rs.) |
|--------------|---------|--------------------|-------------|
| VSTP SL 0360 | 60 w    | 54                 | 5490.00     |
| VSTP SL 0372 | 72 w    | 54                 | 6070.00     |
| VSTP SL 0390 | 90 w    | 54                 | 6300.00     |

Street Light Fixture made out of pressure die cast Aluminium housing with front opening toughened glass IP 66 with highly efficient LED.  
System Efficacy :- 110 LM/W



### SWAN-IV



| CAT No.       | Wattage | Pipe Diameter (mm) | M.R.P (Rs.) |
|---------------|---------|--------------------|-------------|
| VSTP SL 0490  | 90 w    | 54                 | 7400.00     |
| VSTP SL 04100 | 100 w   | 54                 | 7600.00     |
| VSTP SL 04120 | 120 w   | 54                 | 8800.00     |

Street Light Fixture made out of pressure die cast Aluminium housing with front opening toughened glass IP 66 with highly efficient LED.  
System Efficacy :- 110 LM/W



### ORCHID



| CAT No.      | Wattage | Pipe Diameter (mm) | M.R.P (Rs.) |
|--------------|---------|--------------------|-------------|
| VSTP SL 0515 | 15 w    | 40/50              | 2570.00     |
| VSTP SL 0520 | 20 w    | 40/50              | 2620.00     |
| VSTP SL 0525 | 25 w    | 40/50              | 2700.00     |
| VSTP SL 0530 | 30 w    | 40/50              | 2820.00     |
| VSTP SL 0535 | 35 w    | 40/50              | 2850.00     |

Street Light Fixture made out of pressure die cast Aluminium housing with front opening Poly Carbonate glass IP 66 with highly efficient LED.  
System Efficacy :- 110 LM/W



## LED STREET LIGHT

### IRIS

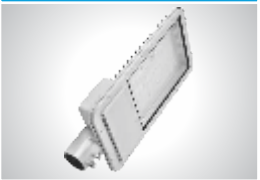


| CAT No.      | Wattage | Pipe Diameter (mm) | M.R.P. (Rs.) |
|--------------|---------|--------------------|--------------|
| VSTP SL 0630 | 30 w    | 43                 | 3320.00      |
| VSTP SL 0636 | 36 w    | 43                 | 3370.00      |
| VSTP SL 0645 | 45 w    | 43                 | 3625.00      |

Street Light Fixture made out of pressure die cast Aluminium housing with front opening poly carbonate glass IP 66 with highly efficient LED. System Efficacy :- 110 LM/W



### LOTUS-I



| CAT No.      | Wattage | Pipe Diameter (mm) | M.R.P. (Rs.) |
|--------------|---------|--------------------|--------------|
| VSTP SL 0720 | 20 w    | 39                 | 3025.00      |
| VSTP SL 0725 | 25 w    | 39                 | 3100.00      |
| VSTP SL 0730 | 30 w    | 39                 | 3200.00      |

Street Light Fixture made out of pressure die cast Aluminium housing with toughened glass & metal frame front opening highly efficient LED IP 66 with Lens. System Efficacy :- 120 LM/W.



### LOTUS-II



| CAT No.      | Wattage | Pipe Diameter (mm) | M.R.P. (Rs.) |
|--------------|---------|--------------------|--------------|
| VSTP SL 0830 | 30 w    | 43                 | 3900.00      |
| VSTP SL 0836 | 36 w    | 43                 | 4020.00      |
| VSTP SL 0845 | 45 w    | 43                 | 4225.00      |

Street Light Fixture made out of pressure die cast Aluminium housing with toughened glass & metal frame front opening highly efficient LED IP 66 with Lens. System Efficacy :- 120 LM/W.



### LOTUS-III



| CAT No.      | Wattage | Pipe Diameter (mm) | M.R.P. (Rs.) |
|--------------|---------|--------------------|--------------|
| VSTP SL 0960 | 60 w    | 54                 | 7200.00      |
| VSTP SL 0972 | 72 w    | 54                 | 7750.00      |
| VSTP SL 0990 | 90 w    | 54                 | 8050.00      |

Street Light Fixture made out of pressure die cast Aluminium housing with toughened glass & metal frame front opening highly efficient LED IP 66 with Lens. System Efficacy :- 120 LM/W.



### LOTUS-IV



| CAT No.       | Wattage | Pipe Diameter (mm) | M.R.P. (Rs.) |
|---------------|---------|--------------------|--------------|
| VSTP SL 1090  | 90 w    | 54                 | 9370.00      |
| VSTP SL 10100 | 100 w   | 54                 | 9500.00      |
| VSTP SL 10120 | 120 w   | 54                 | 10800.00     |

Street Light Fixture made out of pressure die cast Aluminium housing with toughened glass & metal frame front opening highly efficient LED IP 66 with Lens. System Efficacy :- 120 LM/W.



## LED STREET LIGHT

### LOTUS-V



| CAT No.       | Wattage | Pipe Diameter (mm) | M.R.P. (Rs.) |
|---------------|---------|--------------------|--------------|
| VSTP SL 11150 | 150 w   | 60                 | 15625.00     |
| VSTP SL 11180 | 180 w   | 60                 | 18400.00     |
| VSTP SL 11200 | 200 w   | 60                 | 18800.00     |
| VSTP SL 11220 | 220 w   | 60                 | On Request   |
| VSTP SL 11250 | 250 w   | 60                 | On Request   |



Street Light Fixture made out of pressure die cast Aluminium housing with toughened glass & metal frame front opening highly efficient LED IP 66 with Lens. System Efficacy :- 120 LM/W.

### DAISY-I



| CAT No.       | Wattage | Pipe Diameter (mm) | M.R.P. (Rs.) |
|---------------|---------|--------------------|--------------|
| VSTP SL 1290  | 90 w    | 50                 | 9700.00      |
| VSTP SL 12100 | 100 w   | 50                 | 9850.00      |
| VSTP SL 12120 | 120 w   | 50                 | 11150.00     |



Street Light Fixture made out of pressure die cast Aluminium housing with toughened glass & metal frame Back Chowk opening highly efficient LED IP 66 with Lens. System Efficacy :- 120 LM/W.

### DAISY-II



| CAT No.       | Wattage | Pipe Diameter (mm) | M.R.P. (Rs.) |
|---------------|---------|--------------------|--------------|
| VSTP SL 13150 | 150 w   | 50                 | 16600.00     |
| VSTP SL 13180 | 180 w   | 50                 | 19300.00     |
| VSTP SL 13200 | 200 w   | 50                 | 19600.00     |



Street Light Fixture made out of pressure die cast Aluminium housing with toughened glass & metal frame Back Chowk opening highly efficient LED IP 66 with Lens. System Efficacy :- 120 LM/W.





# ***FLOOD LIGHTING***



## LED FLOOD LIGHT

### BLAZE-I



| CAT No.      | Wattage | M.R.P (Rs.) |
|--------------|---------|-------------|
| VSTP FL 0130 | 30 w    | 3150.00     |

Flood Light Fixture made out of pressure die cast Aluminium housing with front opening toughened glass with Metal Frame IP 66 with highly efficient LED. System Efficacy :- 110 LM/W.



### BLAZE-II



| CAT No.      | Wattage | M.R.P (Rs.) |
|--------------|---------|-------------|
| VSTP FL 0250 | 50 w    | 4560.00     |

Flood Light Fixture made out of pressure die cast Aluminium housing with front opening toughened glass with Metal Frame IP 66 with highly efficient LED. System Efficacy :- 110 LM/W.



### BLAZE-III



| CAT No.       | Wattage | M.R.P (Rs.) |
|---------------|---------|-------------|
| VSTP FL 0380  | 80 w    | 6720.00     |
| VSTP FL 03100 | 100 w   | 7000.00     |
| VSTP FL 03120 | 120 w   | 8225.00     |

Flood Light Fixture made out of pressure die cast Aluminium housing with front opening toughened glass with Metal Frame IP 66 with highly efficient LED. System Efficacy :- 110 LM/W.



### BLAZE-IV



| CAT No.       | Wattage | M.R.P (Rs.) |
|---------------|---------|-------------|
| VSTP FL 04120 | 120 w   | 11400.00    |
| VSTP FL 04150 | 150 w   | 12800.00    |
| VSTP FL 04180 | 180 w   | 15400.00    |
| VSTP FL 04200 | 200 w   | 15800.00    |

Flood Light Fixture made out of pressure die cast Aluminium housing with front opening toughened glass with Metal Frame IP 66 with highly efficient LED. System Efficacy :- 110 LM/W.



### ELIANA-I



| CAT No.      | Wattage | M.R.P (Rs.) |
|--------------|---------|-------------|
| VSTP FL 0550 | 50 w    | 5780.00     |

Flood Light Fixture made out of pressure die cast Aluminium housing with toughened glass & Metal Frame back chowk opening IP 66 with highly efficient LED. System Efficacy :- 120 LM/W.



## LED FLOOD LIGHT

### ELIANA-II

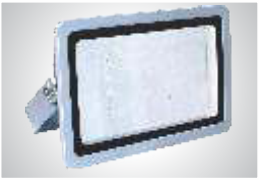


| CAT No.       | Wattage | M.R.P. (Rs.) |
|---------------|---------|--------------|
| VSTP FL 0680  | 80 w    | 8900.00      |
| VSTP FL 06100 | 100 w   | 9200.00      |
| VSTP FL 06120 | 120 w   | 10500.00     |

Flood Light Fixture made out of pressure die cast Aluminium housing with toughened glass & Metal Frame back chowk opening IP 66 with highly efficient LED.  
System Efficacy :- 120 LM/W.



### ELIANA-III

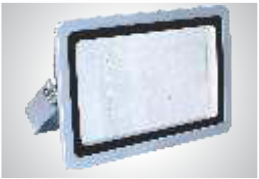


| CAT No.       | Wattage | M.R.P. (Rs.) |
|---------------|---------|--------------|
| VSTP FL 07120 | 120 w   | 13950.00     |
| VSTP FL 07150 | 150 w   | 15400.00     |
| VSTP FL 07180 | 180 w   | 18100.00     |
| VSTP FL 07200 | 200 w   | 18600.00     |

Flood Light Fixture made out of pressure die cast Aluminium housing with toughened glass & Metal Frame back chowk opening IP 66 with highly efficient LED.  
System Efficacy :- 120 LM/W.



### ELIANA-IV



| CAT No.       | Wattage | M.R.P. (Rs.) |
|---------------|---------|--------------|
| VSTP FL 08250 | 250 w   | 24800.00     |
| VSTP FL 08300 | 300 w   | 28000.00     |
| VSTP FL 08350 | 350 w   | 34000.00     |
| VSTP FL 08400 | 400 w   | On Request   |

Flood Light Fixture made out of pressure die cast Aluminium housing with toughened glass & Metal Frame back chowk opening IP 66 with highly efficient LED.  
System Efficacy :- 120 LM/W.



## CANOPY LIGHT

### aaaaaaaa



| CAT No.       | Wattage | M.R.P. (Rs.) |
|---------------|---------|--------------|
| VSTP CL 0980  | 80 w    | 8840.00      |
| VSTP CL 09100 | 100 w   | 9400.00      |
| VSTP CL 09120 | 120 w   | 10860.00     |

Canopy Light Fixture made out of pressure die cast Aluminium housing with toughened glass & Metal Frame IP 66 with highly efficient LED. System Efficacy :- 120 LM/W.



# ***BOLLARD LUMINAIRES***

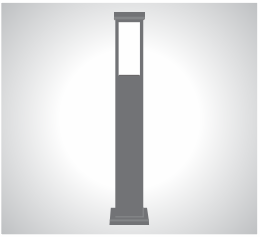
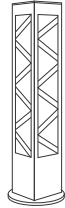


## BOLLARDS LED LUMINAIRES IP 65/66



| CAT No.      | Wattage | Height  | M.R.P (Rs.) |
|--------------|---------|---------|-------------|
| VSTP BL 0136 | 36 w    | 1000 mm | 21760.00    |

VSTP Lighting - LED Bollard for Garden made out of extruded aluminum profile with cast aluminium base and PC/PMMA diffuser for uniform light distribution.



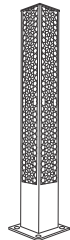
| CAT No.       | Wattage | Height | M.R.P (Rs.) |
|---------------|---------|--------|-------------|
| VSTP BL 02E27 | E 27    | 800 mm | 7440.00     |

VSTP Lighting - LED Bollard for Garden made out of extruded aluminum profile with cast aluminium base and PC/PMMA diffuser for uniform light distribution.



| CAT No.      | Wattage | Height  | M.R.P (Rs.) |
|--------------|---------|---------|-------------|
| VSTP BL 0336 | 36 w    | 1000 mm | 28590.00    |

VSTP Lighting - LED Bollard for Garden made out of extruded aluminum profile with cast aluminium base and PC/PMMA diffuser for uniform light distribution.



| CAT No.      | Wattage  | Height  | M.R.P (Rs.) |
|--------------|----------|---------|-------------|
| VSTP BL 0420 | 20 w COB | 1000 mm | 19555.00    |

VSTP Lighting - LED Bollard for Garden made out of extruded aluminum profile with cast aluminium base and PC/PMMA diffuser for uniform light distribution.



## BOLLARDS LED LUMINAIRES IP 65/66



| CAT No.        | Wattage | Height | M.R.P (Rs.) |
|----------------|---------|--------|-------------|
| VSTP BL 05E27  | E 27    | 760 mm | 5980.00     |
| VSTP BL 05E25A | E 27    | 500 mm | 5010.00     |

VSTP Lighting - LED Bollard for Garden made out of extruded aluminum profile with cast aluminium base and PC/PMMA diffuser for uniform light distribution.



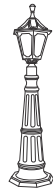
| CAT No.       | Wattage | Height | M.R.P (Rs.) |
|---------------|---------|--------|-------------|
| VSTP BL 0612  | 12 w    | 800 mm | 10720.00    |
| VSTP BL 0612A | 12 w    | 800 mm | 12600.00    |

VSTP Lighting - LED Bollard for Garden made out of extruded aluminum profile with cast aluminium base and PC/PMMA diffuser for uniform light distribution.



| CAT No.       | Wattage   | Height  | M.R.P (Rs.) |
|---------------|-----------|---------|-------------|
| VSTP BL 07E27 | B-22d/E27 | 1040 mm | 10120.00    |
| VSTP BL 0718  | 18 w      | 1040 mm | 14100.00    |

VSTP Lighting - LED Bollard for Garden made out of cast aluminium and PC/PMMA diffuser for uniform light distribution.



| CAT No.       | Wattage   | Height  | M.R.P (Rs.) |
|---------------|-----------|---------|-------------|
| VSTP BL 08E27 | B-22d/E27 | 1100 mm | 16850.00    |
| VSTP BL 0818  | 18 w      | 1100 mm | 20700.00    |
| VSTP BL 0840  | 40 w      | 1100 mm | 22320.00    |

VSTP Lighting - LED Bollard for Garden made out of extruded aluminum profile with cast aluminium base and PC/PMMA diffuser for uniform light distribution.

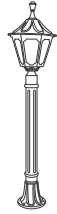


## BOLLARDS LED LUMINAIRES IP 65/66



| CAT No.       | Wattage   | Height | M.R.P (Rs.) |
|---------------|-----------|--------|-------------|
| VSTP BL 09E27 | B-22d/E27 | 990 mm | 7440.00     |
| VSTP BL 0918  | 18 w      | 990 mm | 11685.00    |
| VSTP BL 0940  | 40 w      | 990 mm | 14350.00    |

VSTP Lighting - LED Bollard for Garden made out of cast aluminium and PC/PMMA diffuser for uniform light distribution.



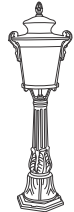
| CAT No.       | Wattage   | Height  | M.R.P (Rs.) |
|---------------|-----------|---------|-------------|
| VSTP BL 10E27 | B-22d/E27 | 1020 mm | 18675.00    |
| VSTP BL 1018  | 18 w      | 1020 mm | 22965.00    |
| VSTP BL 1040  | 40 w      | 1020 mm | 24400.00    |

VSTP Lighting - LED Bollard for Garden made out of extruded aluminum profile with cast aluminium base and PC/PMMA diffuser for uniform light distribution.



| CAT No.       | Wattage | Height  | M.R.P (Rs.) |
|---------------|---------|---------|-------------|
| VSTP BL 11E27 | E 27    | 1120 mm | 19775.00    |
| VSTP BL 1118  | 18 w    | 1120 mm | 20700.00    |
| VSTP BL 1140  | 40 w    | 1120 mm | 22320.00    |

VSTP Lighting - LED Bollard for Garden made out of extruded aluminum profile with cast aluminium base and PC/PMMA diffuser for uniform light distribution.



| CAT No.         | Wattage | Height | M.R.P (Rs.) |
|-----------------|---------|--------|-------------|
| VSTP BL 12B22d  | B-22d   | 930 mm | 5665.00     |
| VSTP BL 12B22dA | B-22d   | 750 mm | 5320.00     |
| VSTP BL 12B22dB | B-22d   | 365 mm | 5045.00     |

VSTP Lighting - LED Bollard for Garden made out of extruded aluminum profile with cast aluminium base and PC/PMMA diffuser for uniform light distribution.





## BOLLARDS LED LUMINAIRES IP 65/66



| CAT No.      | Wattage | Height | M.R.P (Rs.) |
|--------------|---------|--------|-------------|
| VSTP BL 1306 | 6 w     | 800 mm | 6700.00     |
| VSTP BL 1309 | 9 w     | 800 mm | 7300.00     |
| VSTP BL 1312 | 12 w    | 800 mm | 7600.00     |
| VSTP BL 1309 | 9 w     | 500 mm | 7330.00     |
| VSTP BL 1312 | 12 w    | 500 mm | 7600.00     |

VSTP Lighting - LED Bollard for Garden made out of extruded aluminum profile with cast aluminium base and PC/PMMA diffuser for uniform light distribution.



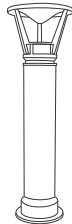
| CAT No.        | Wattage | Height | M.R.P (Rs.) |
|----------------|---------|--------|-------------|
| VSTP BL 14E27  | E 27    | 760 mm | 7100.00     |
| VSTP BL 1405   | 5 w     | 760 mm | 8420.00     |
| VSTP BL 1410   | 10 w    | 760 mm | 8790.00     |
| VSTP BL 14E27A | E 27    | 500 mm | 5690.00     |
| VSTP BL 1405A  | 5 w     | 500 mm | 6840.00     |
| VSTP BL 1410A  | 10 w    | 500 mm | 7230.00     |

VSTP Lighting - LED Bollard for Garden made out of extruded aluminum profile with cast aluminium base and PC/PMMA diffuser for uniform light distribution.



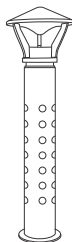
| CAT No.       | Wattage | Height | M.R.P (Rs.) |
|---------------|---------|--------|-------------|
| VSTP BL 1510  | 10 w    | 800 mm | 9800.00     |
| VSTP BL 1510A | 10 w    | 685 mm | 9100.00     |
| VSTP BL 1505  | 5 w     | 380 mm | 8100.00     |

VSTP Lighting - LED Bollard for Garden made out of extruded aluminum profile with cast aluminium base and PC/PMMA diffuser for uniform light distribution.



| CAT No.       | Wattage | Height | M.R.P (Rs.) |
|---------------|---------|--------|-------------|
| VSTP BL 1610  | 10 w    | 800 mm | 11400.00    |
| VSTP BL 1610A | 10 w    | 680 mm | 10850.00    |
| VSTP BL 1605  | 5 w     | 380 mm | 10650.00    |

VSTP Lighting - LED Bollard for Garden made out of extruded aluminum profile with cast aluminium base and PC/PMMA diffuser for uniform light distribution.

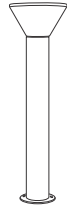


## BOLLARDS LED LUMINAIRES IP 65/66



| CAT No.        | Wattage | Height | M.R.P. (Rs.) |
|----------------|---------|--------|--------------|
| VSTP BL 17E27  | E 27    | 760 mm | 7365.00      |
| VSTP BL 1705   | 5 w     | 760 mm | 5070.00      |
| VSTP BL 1710   | 10 w    | 760 mm | 5475.00      |
| VSTP BL 17E27A | E 27    | 500 mm | 5690.00      |
| VSTP BL 1705A  | 5 w     | 500 mm | 4785.00      |

VSTP Lighting - LED Bollard for Garden made out of extruded aluminum profile with cast aluminium base and PC/PMMA diffuser for uniform light distribution.



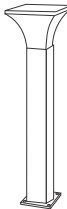
| CAT No.      | Wattage | Height | M.R.P. (Rs.) |
|--------------|---------|--------|--------------|
| VSTP BL 1809 | 9 w     | 800 mm | 6560.00      |
| VSTP BL 1812 | 12 w    | 800 mm | 6900.00      |
| VSTP BL 1818 | 18 w    | 800 mm | 6960.00      |
| VSTP BL 1809 | 9 w     | 500 mm | 6650.00      |
| VSTP BL 1812 | 12 w    | 500 mm | 6700.00      |

VSTP Lighting - LED Bollard for Garden made out of extruded aluminum profile with cast aluminium base and PC/PMMA diffuser for uniform light distribution.



| CAT No.        | Wattage | Height | M.R.P. (Rs.) |
|----------------|---------|--------|--------------|
| VSTP BL 19E27  | E 27    | 760 mm | 7270.00      |
| VSTP BL 19E27A | E 27    | 500 mm | 5985.00      |
| VSTP BL 1909   | 9 w     | 760 mm | 9385.00      |
| VSTP BL 1912   | 12 w    | 760 mm | 10230.00     |

VSTP Lighting - LED Bollard for Garden made out of extruded aluminum profile with cast aluminium base and PC/PMMA diffuser for uniform light distribution.



**VSTP LED BURRIAL - 3W**



**VSTP LED BURRIAL - 12W**



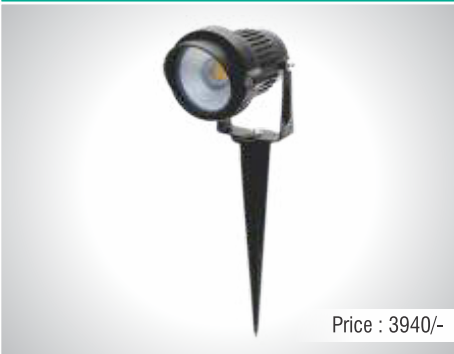
**VSTP LED BURRIAL - 2x1W**



**VSTP LED UP & DOWN (2 WAY)**



**VSTP LED SPIKE LIGHT - 3W**



**VSTP LED SPIKE LIGHT - 12W**



# ***DECORATIVE POLES***

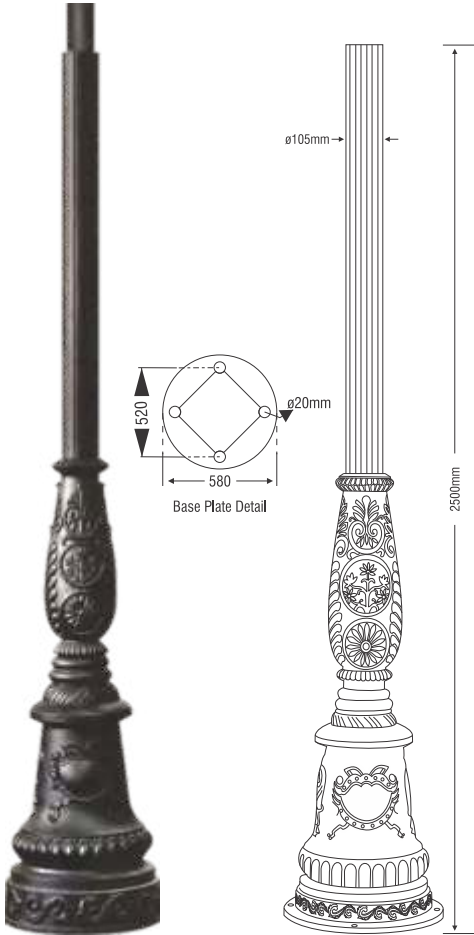


# DECORATIVE POLES

Lighting The World 



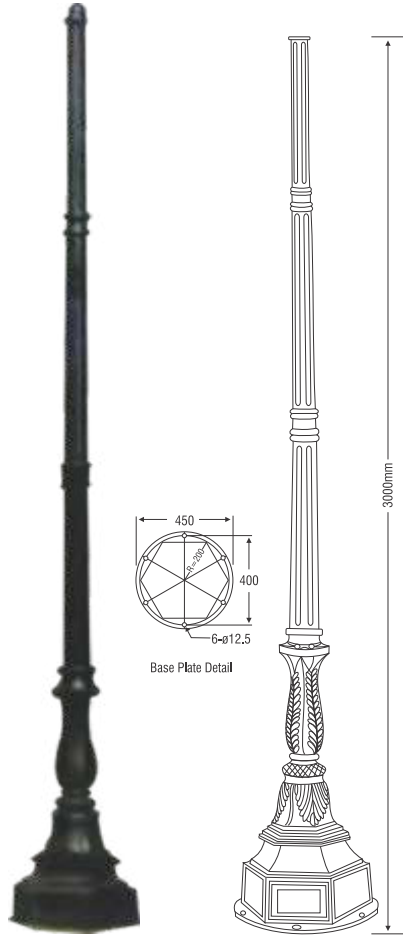
## VSTP-01



| CAT NO.      | HEIGHT (mm.) | M.R.P. (Rs.) |
|--------------|--------------|--------------|
| VSTP-DP01-25 | 2500         | 116560.00    |

VSTP - Decorative Pole complete with Cast Aluminium/ Cast Iron Pole duly Polyurethane painted.

## VSTP-02



| CAT NO.      | HEIGHT (mm.) | M.R.P. (Rs.) |
|--------------|--------------|--------------|
| VSTP-DP02-30 | 3000         | 42300.00     |

VSTP - Decorative Pole complete with Cast Aluminium/ Cast Iron Pole duly Polyurethane painted.

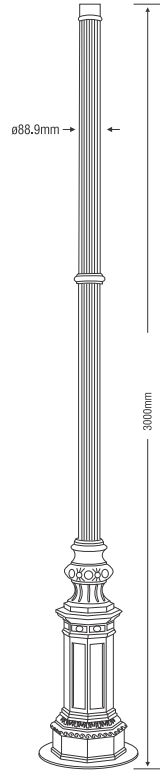
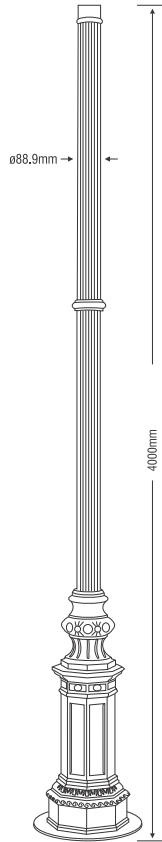
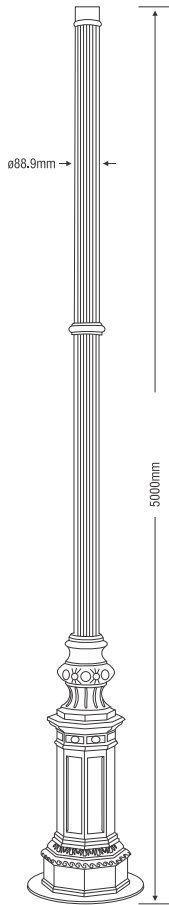


# DECORATIVE POLES

Lighting The World 

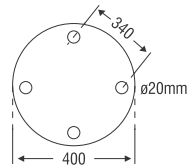


## VSTP-03



| CAT NO.      | HEIGHT (mm.) | M.R.P (Rs.) |
|--------------|--------------|-------------|
| VSTP-DP03-30 | 3000         | 60700.00    |
| VSTP-DP03-40 | 4000         | 64770.00    |
| VSTP-DP03-50 | 5000         | 68730.00    |

**VSTP** - Decorative Pole complete with Cast Aluminium/ Cast Iron Pole duly Polyurethane painted.



Base Plate Detail

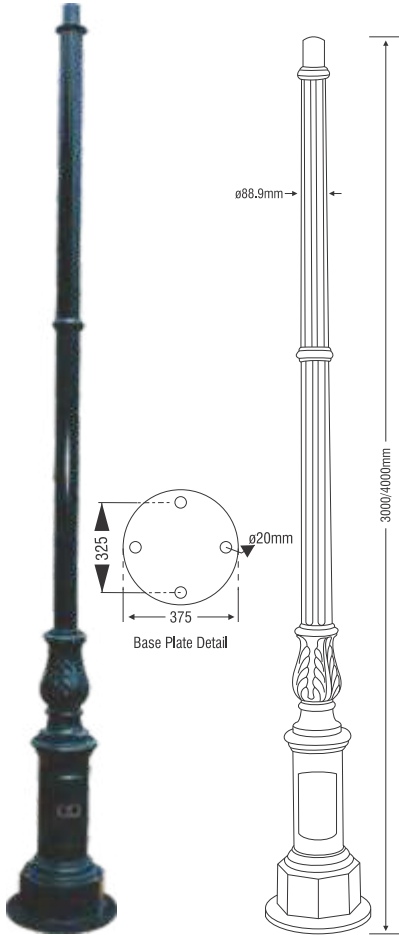


# DECORATIVE POLES

Lighting The World 



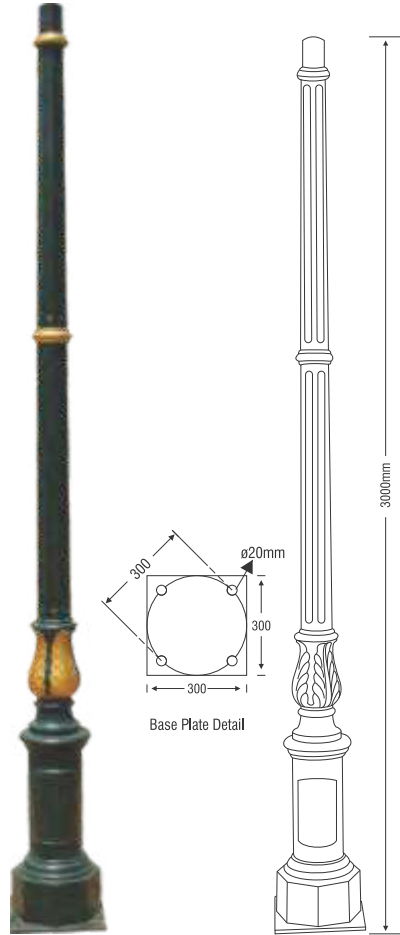
## VSTP-04



| CAT NO.      | HEIGHT (mm.) | M.R.P. (Rs.) |
|--------------|--------------|--------------|
| VSTP-DP04-30 | 3000         | 46680.00     |
| VSTP-DP04-40 | 4000         | 51380.00     |

**VSTP** - Decorative Pole complete with Cast Aluminium/ Cast Iron Pole duly Polyurethane painted.

## VSTP-05



| CAT NO.      | HEIGHT (mm.) | M.R.P. (Rs.) |
|--------------|--------------|--------------|
| VSTP-DP05-30 | 3000         | 55800.00     |

**VSTP** - Decorative Pole complete with Cast Aluminium/ Cast Iron Pole duly Polyurethane painted.



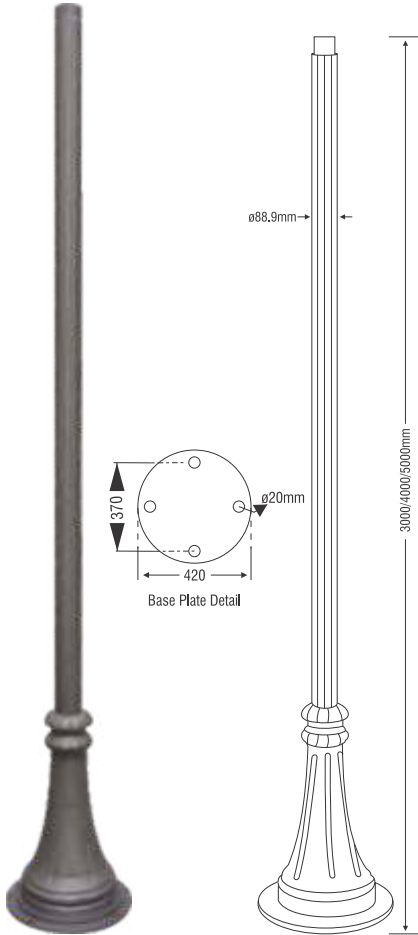


# DECORATIVE POLES

Lighting The World 



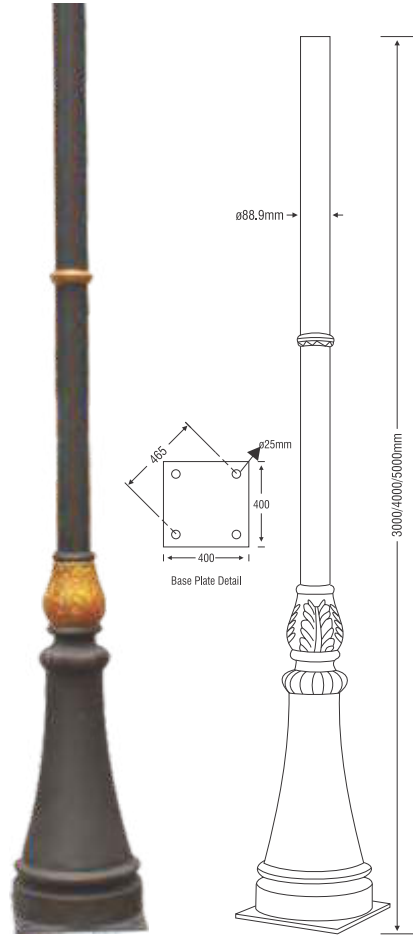
## VSTP-06



| CAT NO.      | HEIGHT (mm.) | M.R.P. (Rs.) |
|--------------|--------------|--------------|
| VSTP-DP06-30 | 3000         | 35800.00     |
| VSTP-DP06-40 | 4000         | 40450.00     |
| VSTP-DP06-50 | 5000         | 44850.00     |

VSTP - Decorative Pole complete with Cast Aluminium/ Cast Iron Pole duly Polyurethane painted.

## VSTP-07



| CAT NO.      | HEIGHT (mm.) | M.R.P. (Rs.) |
|--------------|--------------|--------------|
| VSTP-DP07-30 | 3000         | 52730.00     |
| VSTP-DP07-40 | 4000         | 46760.00     |
| VSTP-DP07-50 | 5000         | 62280.00     |

VSTP - Decorative Pole complete with Cast Aluminium/ Cast Iron Pole duly Polyurethane painted.

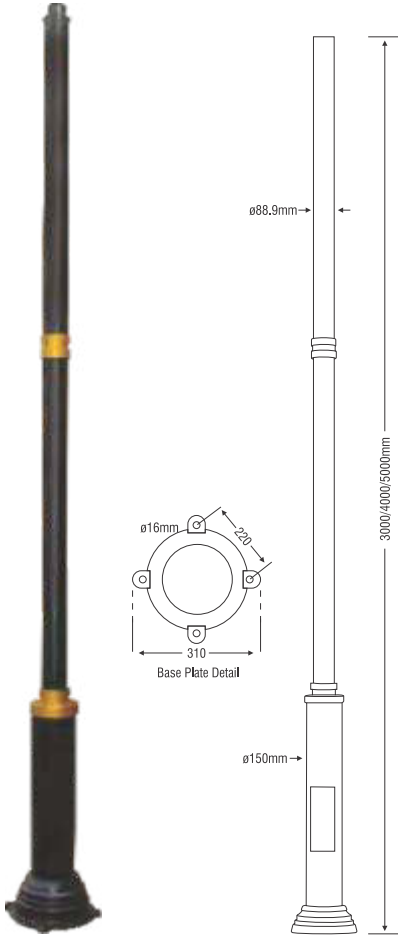


# DECORATIVE POLES

Lighting The World 



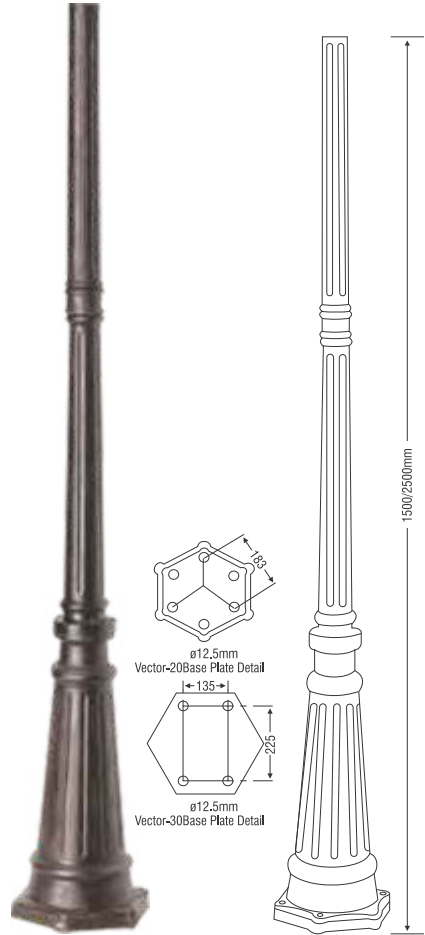
## VSTP-08



| CAT NO.      | HEIGHT (mm.) | M.R.P. (Rs.) |
|--------------|--------------|--------------|
| VSTP-DP08-30 | 3000         | 27700.00     |
| VSTP-DP08-40 | 4000         | 31200.00     |
| VSTP-DP08-50 | 5000         | 34800.00     |

VSTP - Decorative Pole complete with Cast Aluminium/ Cast Iron Pole duly Polyurethane painted.

## VSTP-09

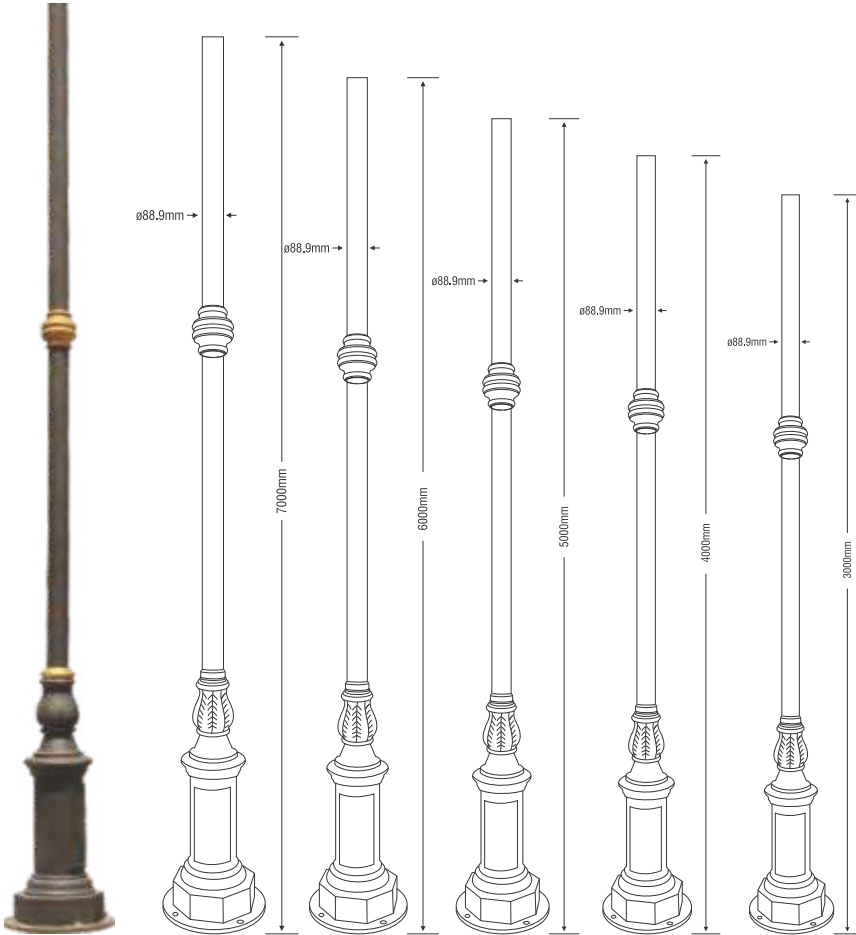


| CAT NO.      | HEIGHT (mm.) | M.R.P. (Rs.) |
|--------------|--------------|--------------|
| VSTP-DP09-15 | 1500         | 20300.00     |
| VSTP-DP09-25 | 2500         | 26130.00     |

VSTP - Decorative Pole complete with Cast Aluminium/ Cast Iron Pole duly Polyurethane painted.

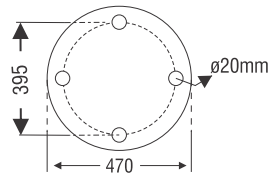


**VSTP-10** 



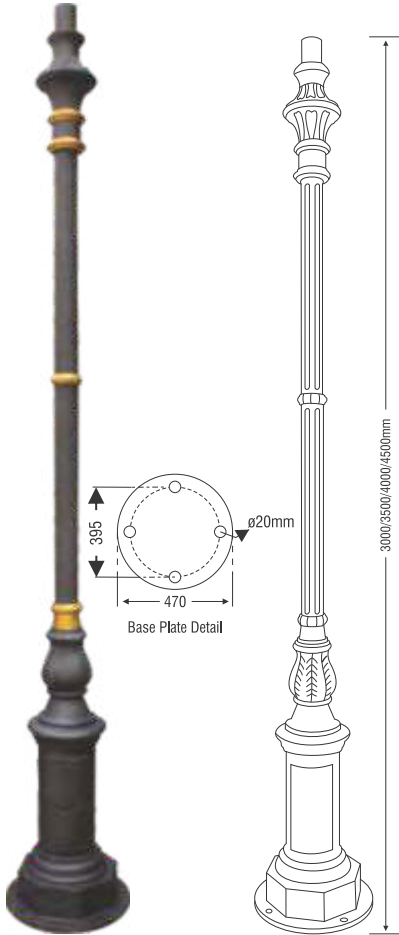
| CAT NO.      | HEIGHT (mm.) | M.R.P. (Rs.) |
|--------------|--------------|--------------|
| VSTP-DP10-30 | 3000         | 42250.00     |
| VSTP-DP10-40 | 4000         | 45550.00     |
| VSTP-DP10-50 | 5000         | 48500.00     |
| VSTP-DP10-60 | 6000         | 52350.00     |
| VSTP-DP10-70 | 7000         | 56200.00     |

VSTP - Decorative Pole complete with Cast Aluminium/ Cast Iron Pole duly Polyurethane painted.



Base Plate Detail

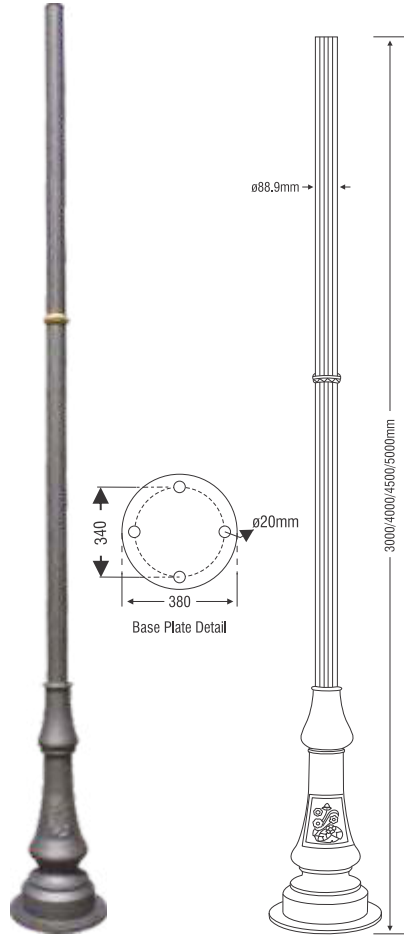
## VSTP-11



| CAT NO.      | HEIGHT (mm.) | M.R.P. (Rs.) |
|--------------|--------------|--------------|
| VSTP-DP11-30 | 3000         | 50400.00     |
| VSTP-DP11-35 | 3500         | 52620.00     |
| VSTP-DP11-40 | 4000         | 54460.00     |
| VSTP-DP11-45 | 4500         | 56900.00     |

**VSTP** - Decorative Pole complete with Cast Aluminium/ Cast Iron Pole duly Polyurethane painted.

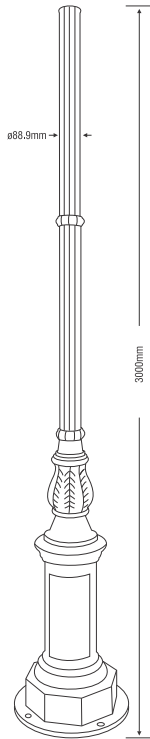
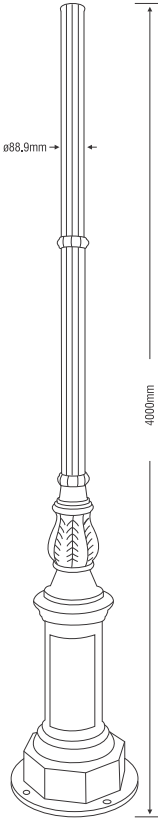
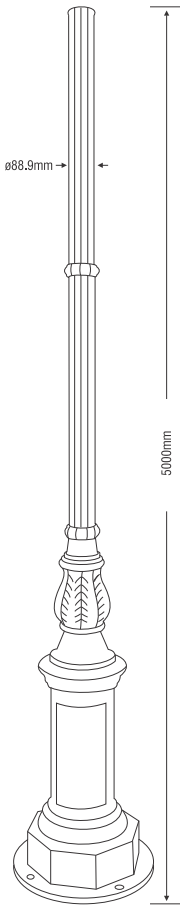
## VSTP-12



| CAT NO.      | HEIGHT (mm.) | M.R.P. (Rs.) |
|--------------|--------------|--------------|
| VSTP-DP12-30 | 3000         | 42690.00     |
| VSTP-DP12-40 | 4000         | 46800.00     |
| VSTP-DP12-45 | 4500         | 48600.00     |
| VSTP-DP12-50 | 5000         | 52900.00     |

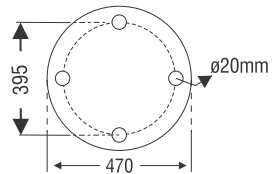
**VSTP** - Decorative Pole complete with Cast Aluminium/ Cast Iron Pole duly Polyurethane painted.

**VSTP-13** 



| CAT NO.      | HEIGHT (mm.) | M.R.P. (Rs.) |
|--------------|--------------|--------------|
| VSTP-DP13-30 | 3000         | 43430.00     |
| VSTP-DP13-40 | 4000         | 47560.00     |
| VSTP-DP13-50 | 5000         | 53080.00     |

**VSTP** - Decorative Pole complete with Cast Aluminium/ Cast Iron Pole duly Polyurethane painted.



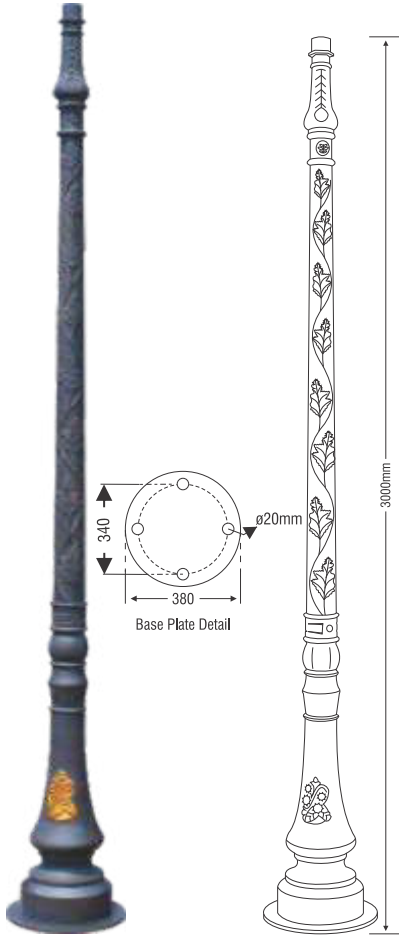
Base Plate Detail

# DECORATIVE POLES

Lighting The World 



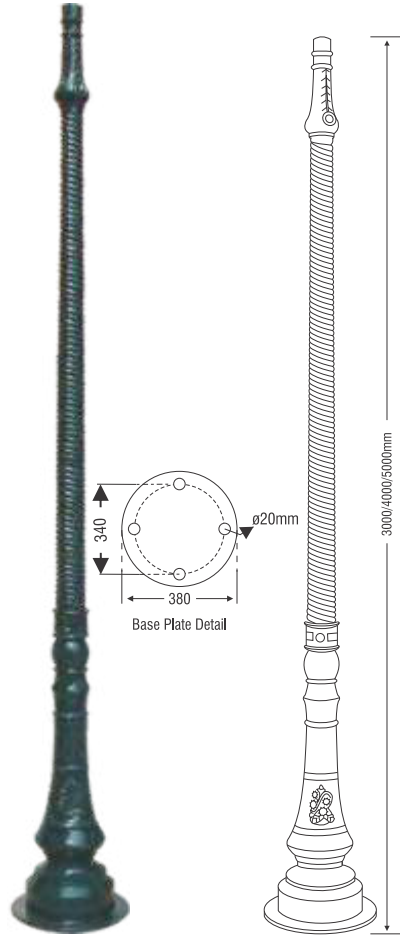
## VSTP-14



| CAT NO.      | HEIGHT (mm.) | M.R.P. (Rs.) |
|--------------|--------------|--------------|
| VSTP-DP14-30 | 3000         | 50680.00     |

VSTP - Decorative Pole complete with Cast Aluminium/ Cast Iron Pole duly Polyurethane painted.

## VSTP-15



| CAT NO.      | HEIGHT (mm.) | M.R.P. (Rs.) |
|--------------|--------------|--------------|
| VSTP-DP15-30 | 3000         | 53240.00     |
| VSTP-DP15-40 | 4000         | On Request   |
| VSTP-DP15-50 | 5000         | On Request   |

VSTP - Decorative Pole complete with Cast Aluminium/ Cast Iron Pole duly Polyurethane painted.

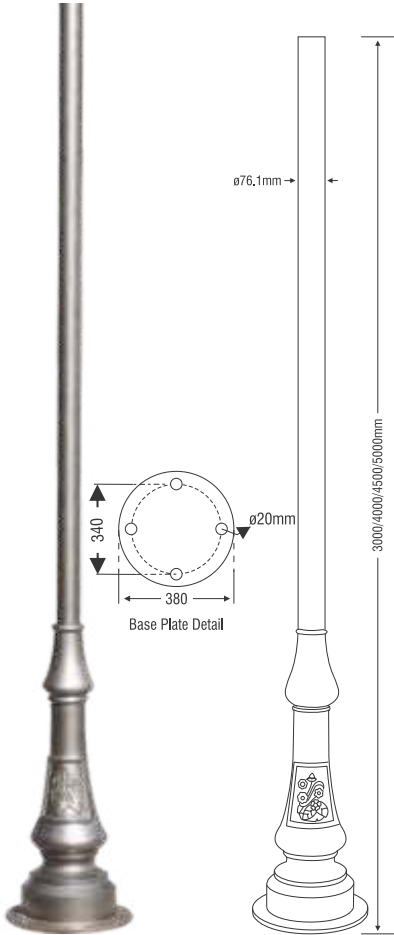


# DECORATIVE POLES

Lighting The World 



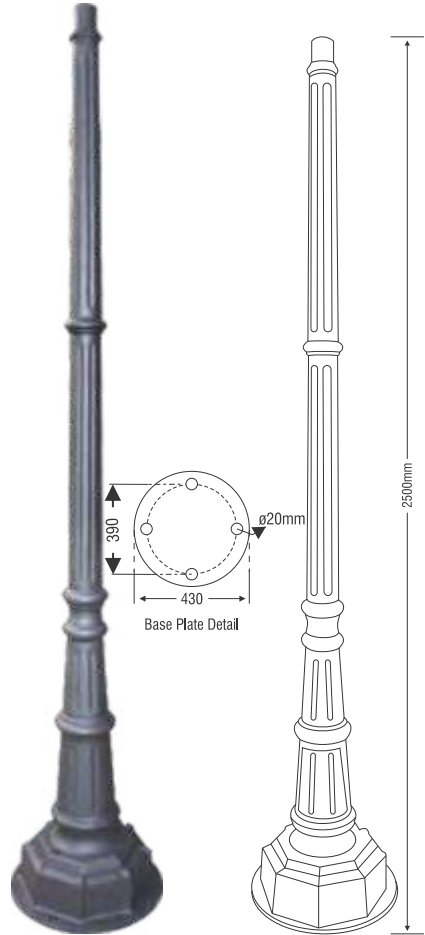
## VSTP-16



| CAT NO.      | HEIGHT (mm.) | M.R.P. (Rs.) |
|--------------|--------------|--------------|
| VSTP-DP16-30 | 3000         | 33380.00     |
| VSTP-DP16-40 | 4000         | 35970.00     |
| VSTP-DP16-50 | 5000         | 38730.00     |

VSTP - Decorative Pole complete with Cast Aluminium/ Cast Iron Pole duly Polyurethane painted.

## VSTP-17



| CAT NO.      | HEIGHT (mm.) | M.R.P. (Rs.) |
|--------------|--------------|--------------|
| VSTP-DP17-30 | 3000         | 51270.00     |

VSTP - Decorative Pole complete with Cast Aluminium/ Cast Iron Pole duly Polyurethane painted.



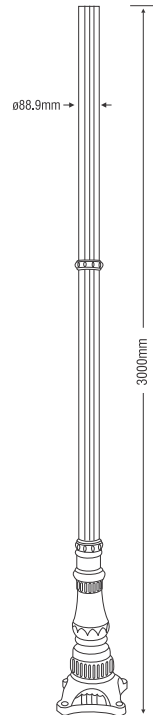
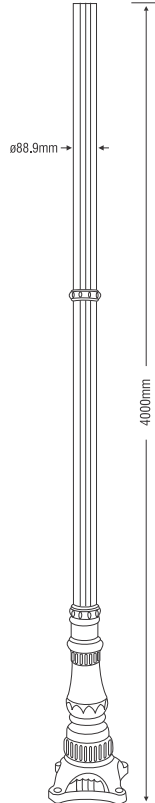
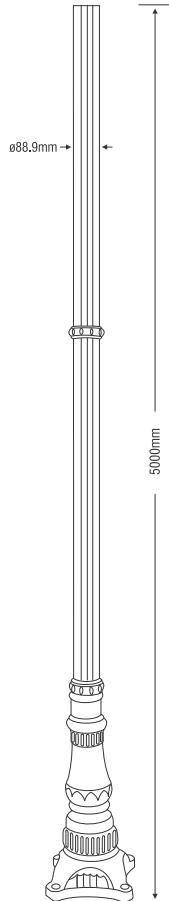


# DECORATIVE POLES

Lighting The World 

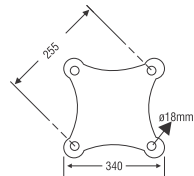


## VSTP-18



| CAT NO.      | HEIGHT (mm.) | M.R.P (Rs.) |
|--------------|--------------|-------------|
| VSTP-DP18-30 | 3000         | 31150.00    |
| VSTP-DP18-40 | 4000         | 35800.00    |
| VSTP-DP18-50 | 5000         | 38920.00    |

**VSTP** - Decorative Pole complete with Cast Aluminium/ Cast Iron Pole duly Polyurethane painted.



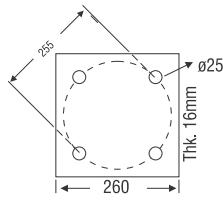
Base Plate Detail



**VSTP-19** 

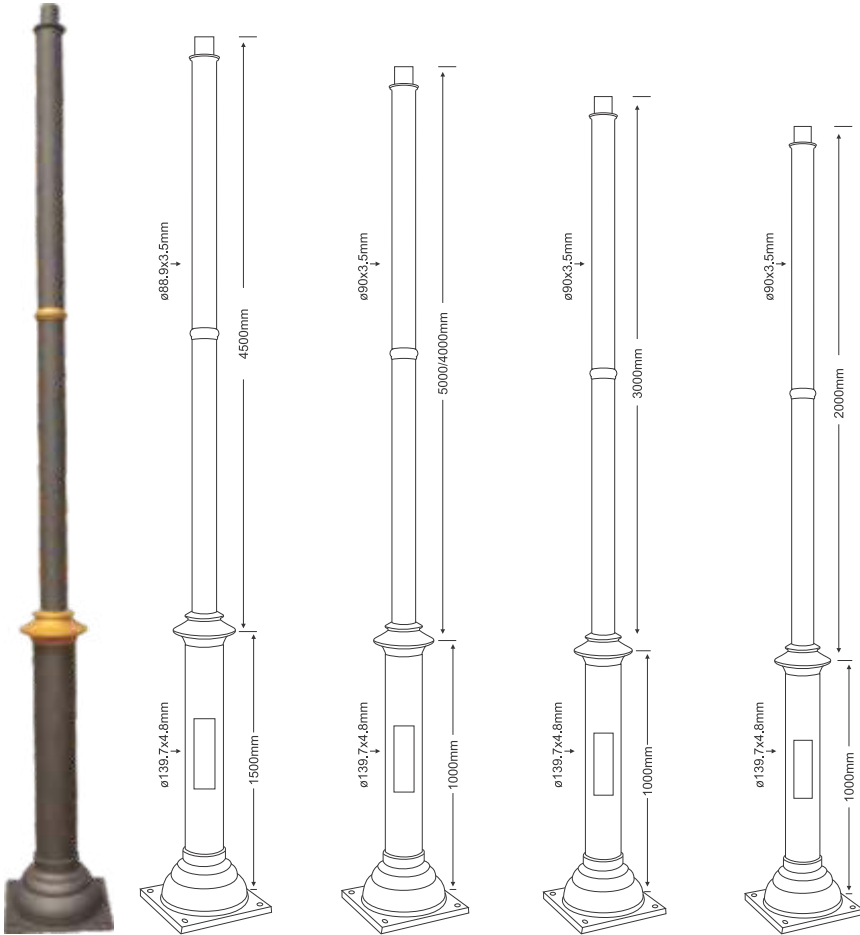


| CAT NO.       | HEIGHT (mm.) | M.R.P (Rs.) |
|---------------|--------------|-------------|
| VSTP-DP19-30  | 3000         | 11940.00    |
| VSTP-DP19-30A | 3000         | 12759.00    |
| VSTP-DP19-40  | 4000         | 13520.00    |
| VSTP-DP19-40A | 4000         | 13980.00    |
| VSTP-DP19-50  | 5000         | 16350.00    |
| VSTP-DP19-60  | 6000         | 18420.00    |



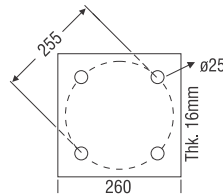
**VSTP** - Decorative Pole complete with Cast Aluminium/ Cast Iron Pole duly Polyurethane painted.

**VSTP-20** 

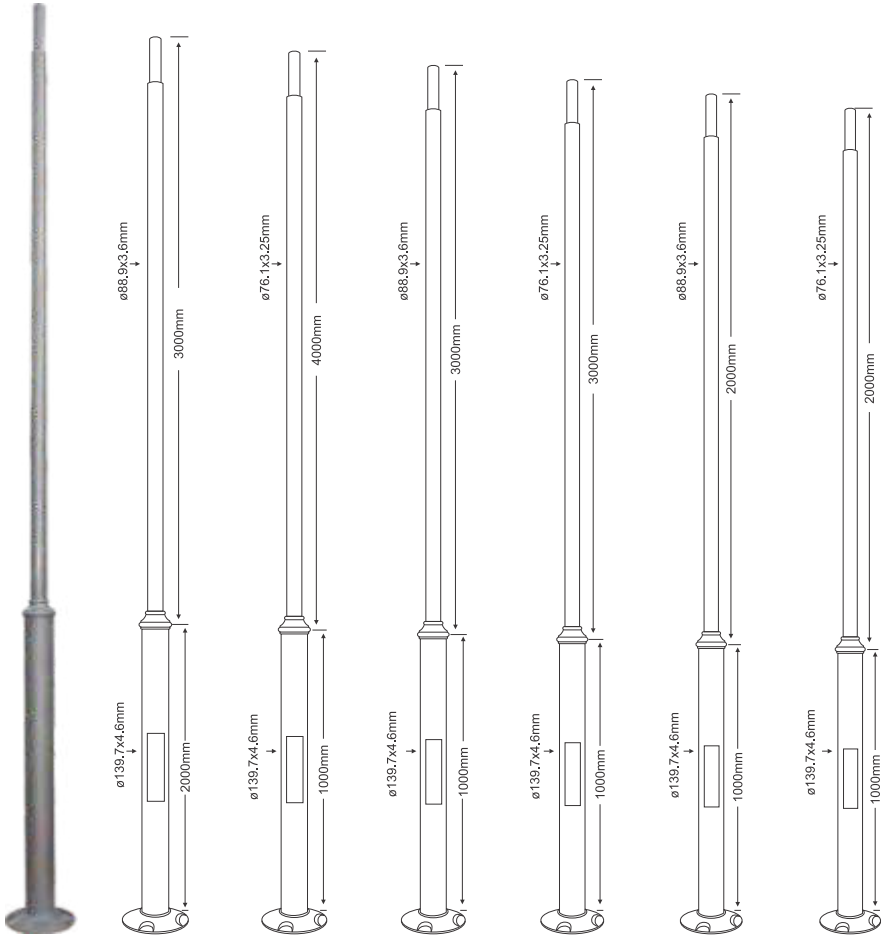


| CAT NO.       | HEIGHT (mm.) | M.R.P (Rs.) |
|---------------|--------------|-------------|
| VSTP-DP20-30  | 3000         | 29215.00    |
| VSTP-DP20-40  | 4000         | 32365.00    |
| VSTP-DP20-50  | 5000         | 38240.00    |
| VSTP-DP20-60  | 6000         | 42700.00    |
| VSTP-DP20-60A | 6000         | 48378.00    |

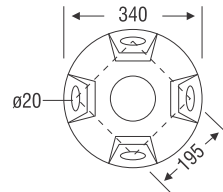
VSTP - Decorative Pole complete with Cast Aluminium/ Cast Iron Pole duly Polyurethane painted.



## VSTP-21

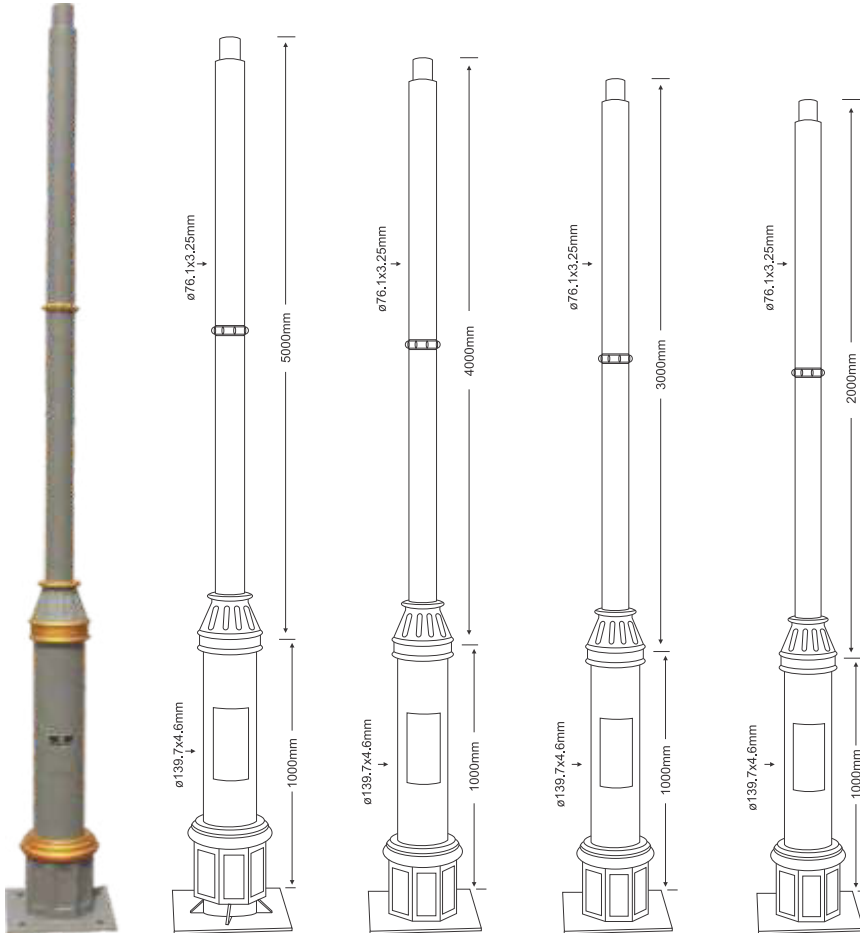


| CAT NO.       | HEIGHT (mm.) | M.R.P (Rs.) |
|---------------|--------------|-------------|
| VSTP-DP21-30  | 3000         | 20225.00    |
| VSTP-DP21-30A | 3000         | 21575.00    |
| VSTP-DP21-40  | 4000         | 24460.00    |
| VSTP-DP21-40A | 4000         | 26040.00    |
| VSTP-DP21-50  | 5000         | 28900.00    |
| VSTP-DP21-60  | 6000         | 30235.00    |



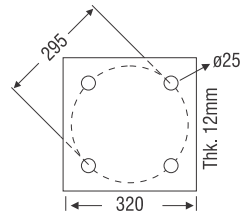
**VSTP** - Decorative Pole complete with Cast Aluminium/ Cast Iron Pole duly Polyurethane painted.

## VSTP-22

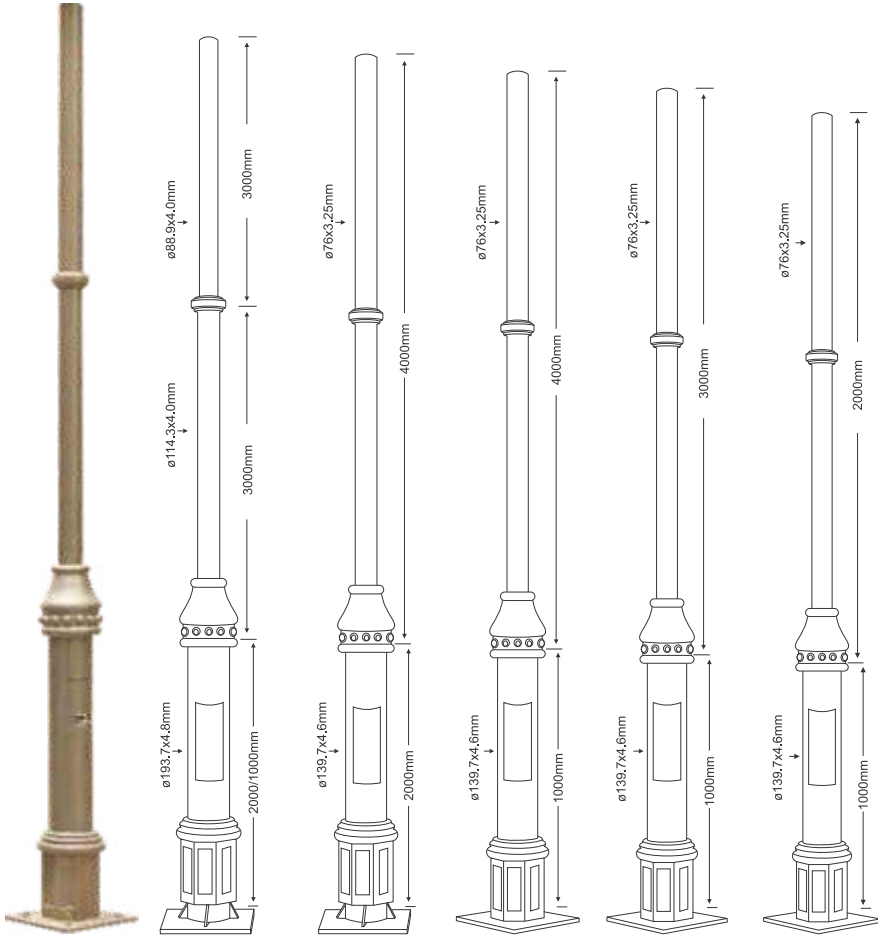


| CAT NO.      | HEIGHT (mm.) | M.R.P (Rs.) |
|--------------|--------------|-------------|
| VSTP-DP22-30 | 3000         | 20180.00    |
| VSTP-DP22-40 | 4000         | 21310.00    |
| VSTP-DP22-50 | 5000         | 26130.00    |
| VSTP-DP22-60 | 6000         | 32150.00    |

**VSTP** - Decorative Pole complete with Cast Aluminium/ Cast Iron Pole duly Polyurethane painted.

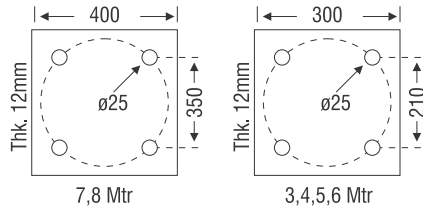


**VSTP-23**




| CAT NO.      | HEIGHT (mm.) | M.R.P. (Rs.) |
|--------------|--------------|--------------|
| VSTP-DP23-30 | 3000         | 23785.00     |
| VSTP-DP23-40 | 4000         | 24900.00     |
| VSTP-DP23-50 | 5000         | 27760.00     |
| VSTP-DP23-60 | 6000         | 33720.00     |
| VSTP-DP23-70 | 7000         | 52440.00     |
| VSTP-DP23-80 | 8000         | 57288.00     |

**VSTP** - Decorative Pole complete with Cast Aluminium/ Cast Iron Pole duly Polyurethane painted.

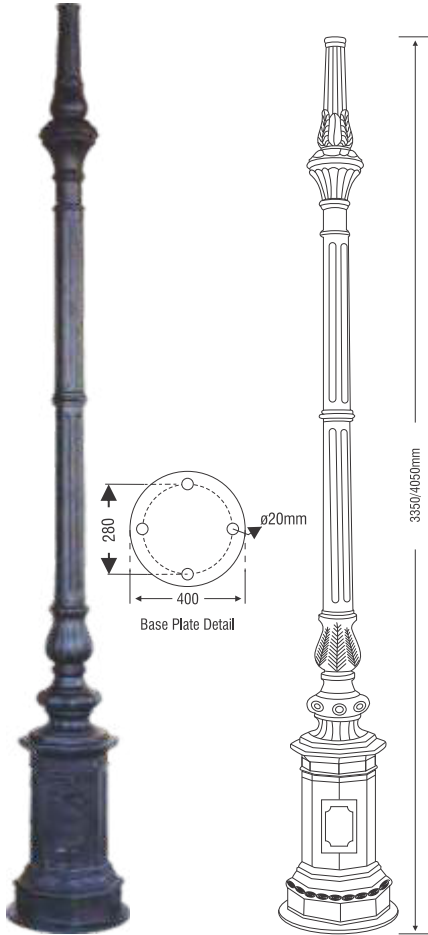


# DECORATIVE POLES

Lighting The World 



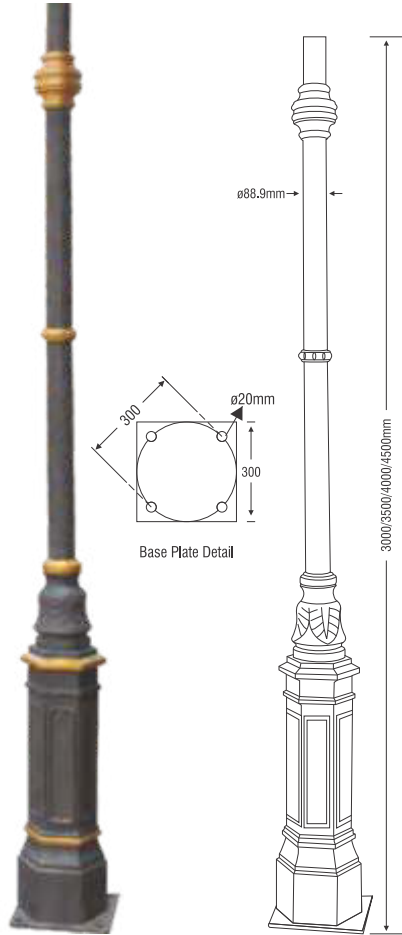
## VSTP-24



| CAT NO.      | HEIGHT (mm.) | M.R.P. (Rs.) |
|--------------|--------------|--------------|
| VSTP-DP24-33 | 3300         | 66000.00     |
| VSTP-DP24-40 | 4000         | 73530.00     |

**VSTP** - Decorative Pole complete with Cast Aluminium/ Cast Iron Pole duly Polyurethane painted.

## VSTP-25



| CAT NO.      | HEIGHT (mm.) | M.R.P. (Rs.) |
|--------------|--------------|--------------|
| VSTP-DP25-30 | 3000         | 38320.00     |
| VSTP-DP25-35 | 3500         | 40200.00     |
| VSTP-DP25-40 | 4000         | 42050.00     |
| VSTP-DP25-45 | 4500         | 44320.00     |

**VSTP** - Decorative Pole complete with Cast Aluminium/ Cast Iron Pole duly Polyurethane painted.



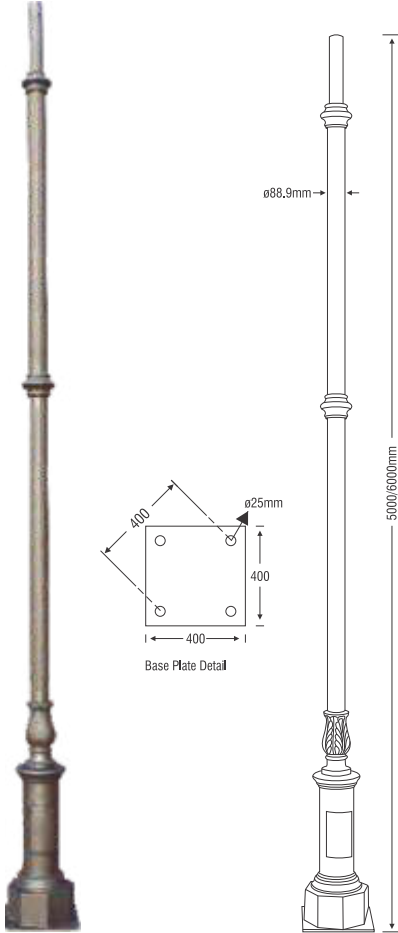


# DECORATIVE POLES

Lighting The World 



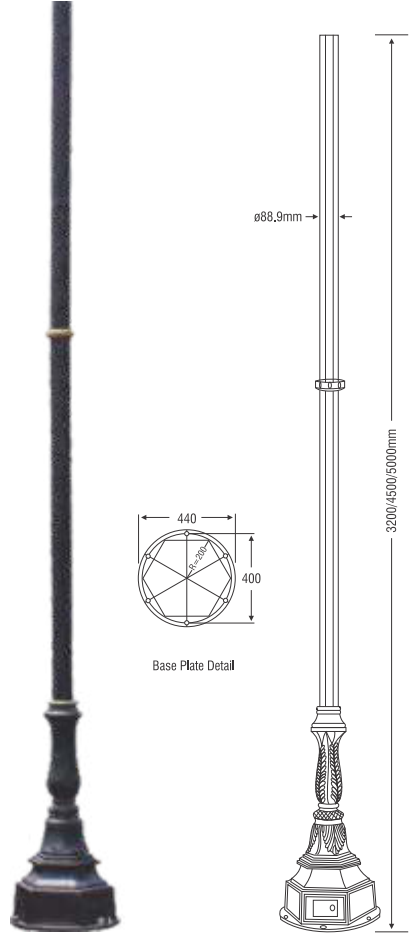
## VSTP-26



| CAT NO.       | HEIGHT (mm.) | M.R.P. (Rs.) |
|---------------|--------------|--------------|
| VSTP-DP26-50  | 5000         | 77800.00     |
| VSTP-DP26-50A | 5000         | 82000.00     |

**VSTP** - Decorative Pole complete with Cast Aluminium/ Cast Iron Pole duly Polyurethane painted.

## VSTP-27

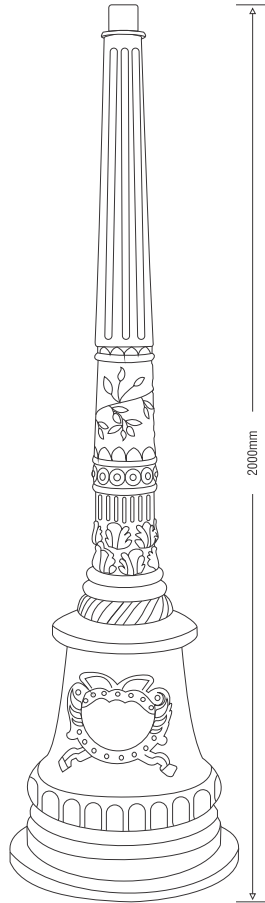


| CAT NO.      | HEIGHT (mm.) | M.R.P. (Rs.) |
|--------------|--------------|--------------|
| VSTP-DP27-32 | 3200         | 32851.00     |
| VSTP-DP27-45 | 4500         | 40600.00     |
| VSTP-DP27-50 | 5000         | 47150.00     |

**VSTP** - Decorative Pole complete with Cast Aluminium/ Cast Iron Pole duly Polyurethane painted.

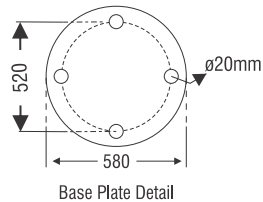


## VSTP-28

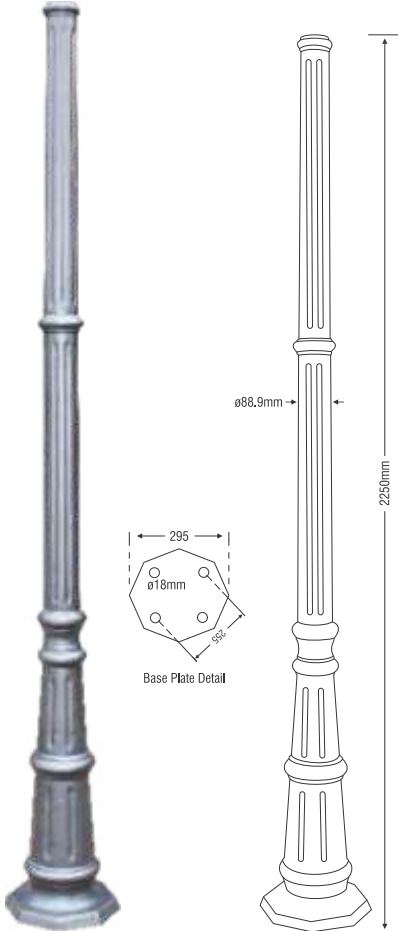


| CAT NO.      | HEIGHT (mm.) | M.R.P. (Rs.) |
|--------------|--------------|--------------|
| VSTP-DP28-20 | 2000         | 106960.00    |

VSTP - Decorative Pole complete with Cast Aluminium/ Cast Iron Pole duly Polyurethane painted.



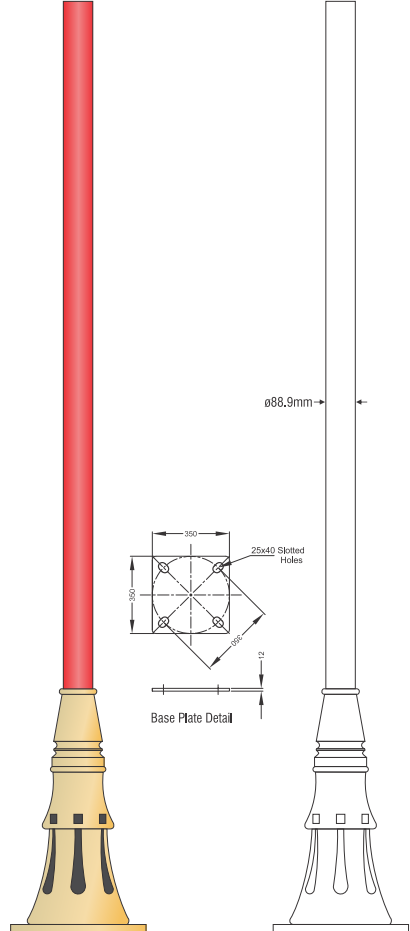
## VSTP-29



| CAT NO.       | HEIGHT (mm.) | M.R.P. (Rs.) |
|---------------|--------------|--------------|
| VSTP-DP29-225 | 2250         | 38270.00     |

VSTP - Decorative Pole complete with Cast Aluminium/ Cast Iron Pole duly Polyurethane painted.

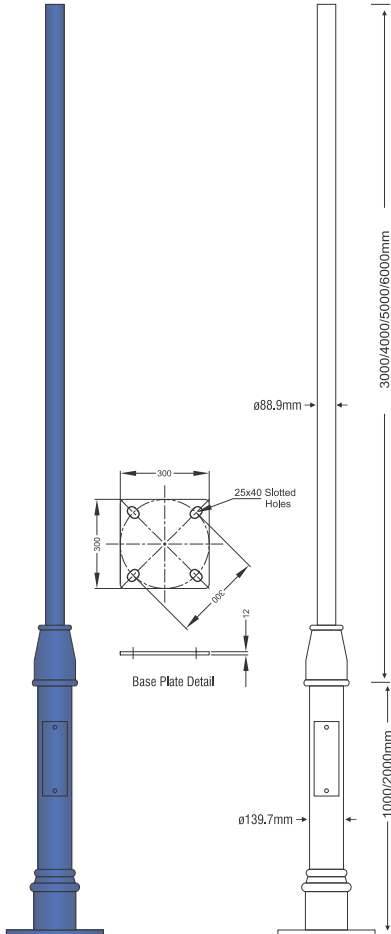
## VSTP-30



| CAT NO.      | HEIGHT (mm.) | M.R.P. (Rs.) |
|--------------|--------------|--------------|
| VSTP-DP30-40 | 4000         | 43500.00     |
| VSTP-DP30-50 | 5000         | 51000.00     |
| VSTP-DP30-60 | 6000         | 54900.00     |
| VSTP-DP30-70 | 7000         | 59400.00     |

VSTP - Decorative Pole complete with Cast Aluminium/ Cast Iron Pole duly Polyurethane painted.

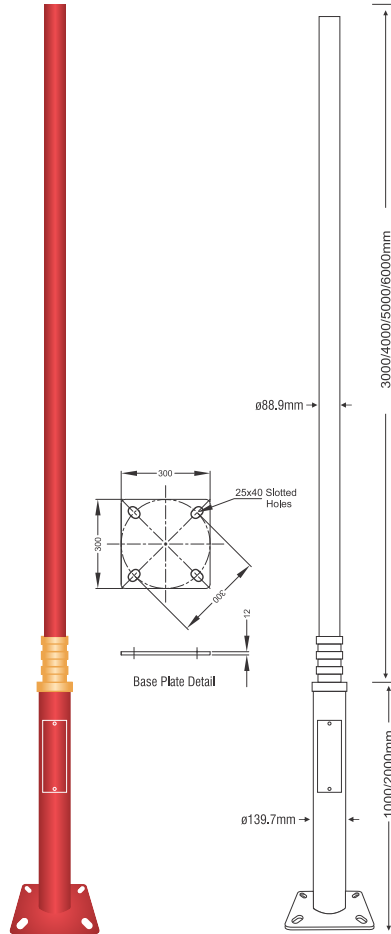
## VSTP-31



| CAT NO.      | HEIGHT (mm.) | M.R.P. (Rs.) |
|--------------|--------------|--------------|
| VSTP-DP31-40 | 4000         | 42600.00     |
| VSTP-DP31-50 | 5000         | 49500.00     |
| VSTP-DP31-60 | 6000         | 51600.00     |
| VSTP-DP31-70 | 7000         | 56400.00     |
| VSTP-DP31-80 | 8000         | 59800.00     |

VSTP - Decorative Pole complete with Cast Aluminium/ Cast Iron Pole duly Polyurethane painted.

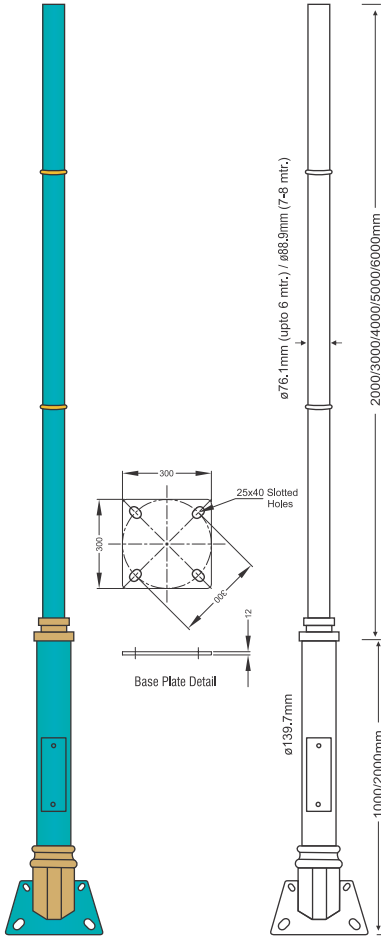
## VSTP-32



| CAT NO.      | HEIGHT (mm.) | M.R.P. (Rs.) |
|--------------|--------------|--------------|
| VSTP-DP32-40 | 4000         | 38000.00     |
| VSTP-DP32-50 | 5000         | 39800.00     |
| VSTP-DP32-60 | 6000         | 41200.00     |
| VSTP-DP32-70 | 7000         | 42600.00     |
| VSTP-DP32-80 | 8000         | 45000.00     |

VSTP - Decorative Pole complete with Cast Aluminium/ Cast Iron Pole duly Polyurethane painted.

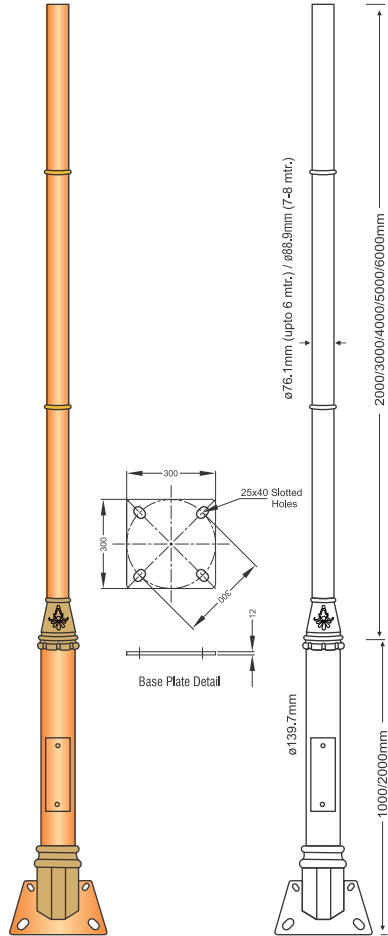
**VSTP-33**



| CAT NO.      | HEIGHT (mm.) | M.R.P (Rs.) |
|--------------|--------------|-------------|
| VSTP-DP33-30 | 3000         | 24605.00    |
| VSTP-DP33-40 | 4000         | 26705.00    |
| VSTP-DP33-50 | 5000         | 28705.00    |
| VSTP-DP33-60 | 6000         | 30800.00    |
| VSTP-DP33-70 | 7000         | 34100.00    |
| VSTP-DP33-80 | 8000         | 38150.00    |

VSTP - Decorative Pole complete with Cast Aluminium/ Cast Iron Pole duly Polyurethane painted.

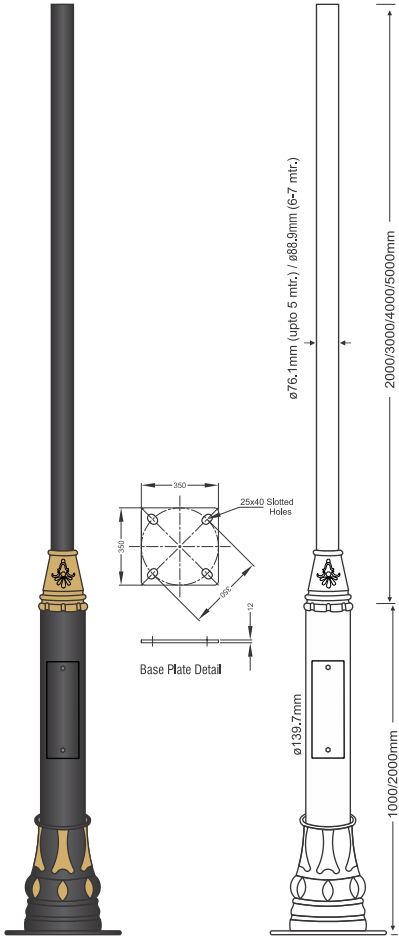
**VSTP-34**



| CAT NO.      | HEIGHT (mm.) | M.R.P (Rs.) |
|--------------|--------------|-------------|
| VSTP-DP34-30 | 3000         | 25100.00    |
| VSTP-DP34-40 | 4000         | 27100.00    |
| VSTP-DP34-50 | 5000         | 29100.00    |
| VSTP-DP34-60 | 6000         | 31600.00    |
| VSTP-DP34-70 | 7000         | 35700.00    |
| VSTP-DP34-80 | 8000         | 39800.00    |

VSTP - Decorative Pole complete with Cast Aluminium/ Cast Iron Pole duly Polyurethane painted.

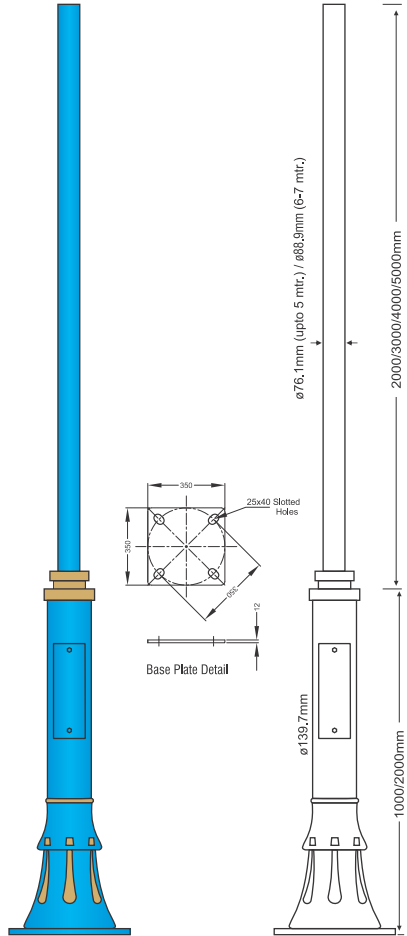
**VSTP-35**



| CAT NO.      | HEIGHT (mm.) | M.R.P. (Rs.) |
|--------------|--------------|--------------|
| VSTP-DP35-30 | 3000         | 28550.00     |
| VSTP-DP35-40 | 4000         | 30600.00     |
| VSTP-DP35-50 | 5000         | 32500.00     |
| VSTP-DP35-60 | 6000         | 35150.00     |
| VSTP-DP35-70 | 7000         | 39200.00     |

**VSTP** - Decorative Pole complete with Cast Aluminium/ Cast Iron Pole duly Polyurethane painted.

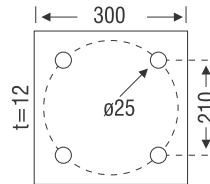
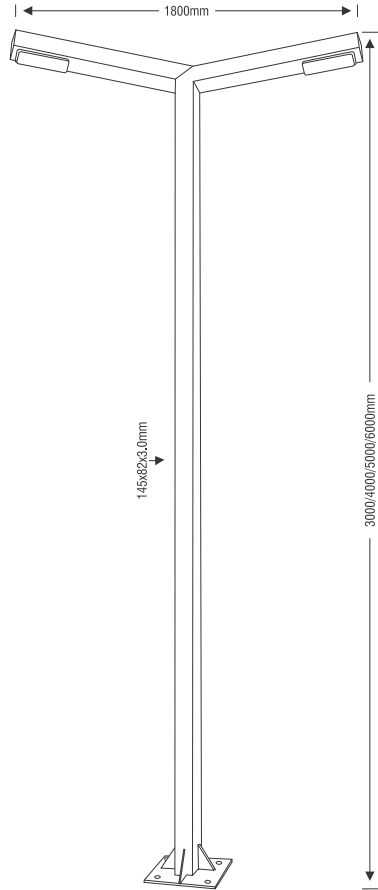
**VSTP-36**



| CAT NO.      | HEIGHT (mm.) | M.R.P. (Rs.) |
|--------------|--------------|--------------|
| VSTP-DP36-30 | 3000         | 29250.00     |
| VSTP-DP36-40 | 4000         | 31150.00     |
| VSTP-DP36-50 | 5000         | 33200.00     |
| VSTP-DP36-60 | 6000         | 35600.00     |
| VSTP-DP36-70 | 7000         | 39800.00     |

**VSTP** - Decorative Pole complete with Cast Aluminium/ Cast Iron Pole duly Polyurethane painted.

## VSTP-37



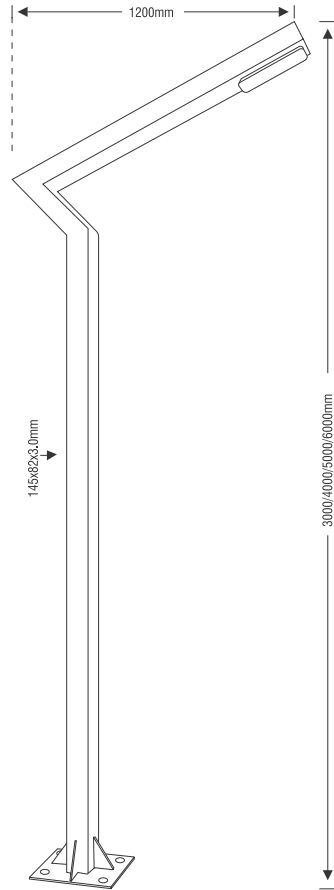
3,4,5,6 Mtr.

| CAT NO.       | HEIGHT (mm.) | WATTAGE | M.R.P (Rs.) |
|---------------|--------------|---------|-------------|
| VSTP-DP37-30  | 3000         | 1x50 w  | 57535.00    |
| VSTP-DP37-40  | 4000         | 1x50 w  | 62030.00    |
| VSTP-DP37-50  | 5000         | 1x50 w  | 66520.00    |
| VSTP-DP37-50A | 5000         | 2x50 w  | 79150.00    |
| VSTP-DP37-60  | 6000         | 1x50 w  | 70250.00    |
| VSTP-DP37-60A | 6000         | 2x50 w  | 84500.00    |

**VSTP** - Decorative Pole complete with Square G.I. Tubes duly Polyurethane painted.

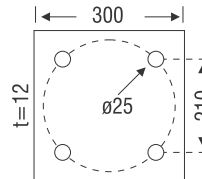


## VSTP-38



| CAT NO.       | HEIGHT (mm.) | WATTAGE | M.R.P (Rs.) |
|---------------|--------------|---------|-------------|
| VSTP-DP38-30  | 3000         | 1x50 w  | 47200.00    |
| VSTP-DP38-40  | 4000         | 1x50 w  | 51690.00    |
| VSTP-DP38-50  | 5000         | 1x50 w  | 56185.00    |
| VSTP-DP38-50A | 5000         | 2x50 w  | 62250.00    |
| VSTP-DP38-60  | 6000         | 1x50 w  | 60030.00    |
| VSTP-DP38-60A | 6000         | 2x50 w  | 67425.00    |

**VSTP** - Decorative Pole complete with Square G.I. Tubes duly Polyurethane painted.



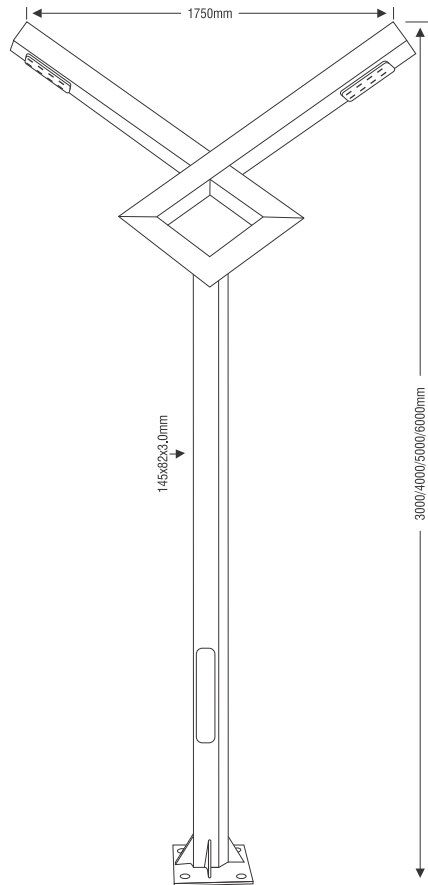
3,4,5,6 Mtr.

# DECORATIVE POLES

Lighting The World 

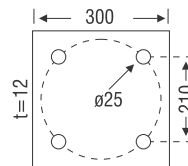


## VSTP-39



| CAT NO.       | HEIGHT (mm.) | WATTAGE | M.R.P (Rs.) |
|---------------|--------------|---------|-------------|
| VSTP-DP39-30  | 3000         | 1x50 w  | 65175.00    |
| VSTP-DP39-40  | 4000         | 1x50 w  | 68920.00    |
| VSTP-DP39-50  | 5000         | 1x50 w  | 74165.00    |
| VSTP-DP39-50A | 5000         | 2x50 w  | 86710.00    |
| VSTP-DP39-60  | 6000         | 1x50 w  | 77815.00    |
| VSTP-DP39-60A | 6000         | 2x50 w  | 92145.00    |


**VSTP** - Decorative Pole complete with Square G.I. Tubes duly Polyurethane painted.



3,4,5,6 Mtr.

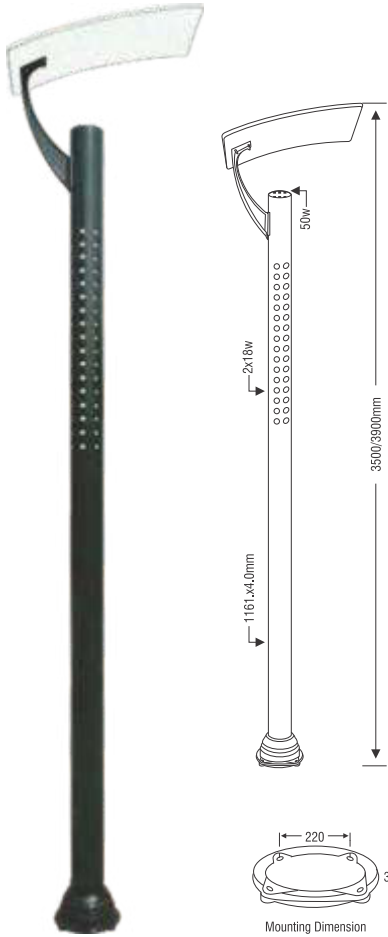


# DECORATIVE POLES

Lighting The World 



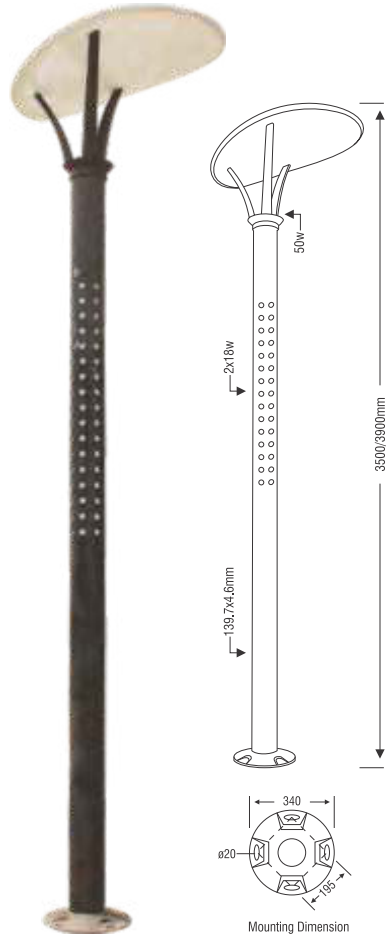
## VSTP-40



| CAT NO.      | HEIGHT (mm.) | WATTAGE   | M.R.P (Rs.) |
|--------------|--------------|-----------|-------------|
| VSTP-DP40-35 | 3500         | 50w/2x18w | 63660.00    |
| VSTP-DP40-40 | 4000         | 50w/2x18w | 64815.00    |

**VSTP** - Decorative Pole complete with Cast Aluminium Pole duly Polyurethane painted.

## VSTP-41



| CAT NO.      | HEIGHT (mm.) | WATTAGE   | M.R.P (Rs.) |
|--------------|--------------|-----------|-------------|
| VSTP-DP41-35 | 3500         | 50w/2x18w | 60685.00    |
| VSTP-DP41-40 | 4000         | 50w/2x18w | 62545.00    |

**VSTP** - Decorative Pole complete with Cast Aluminium Pole duly Polyurethane painted.

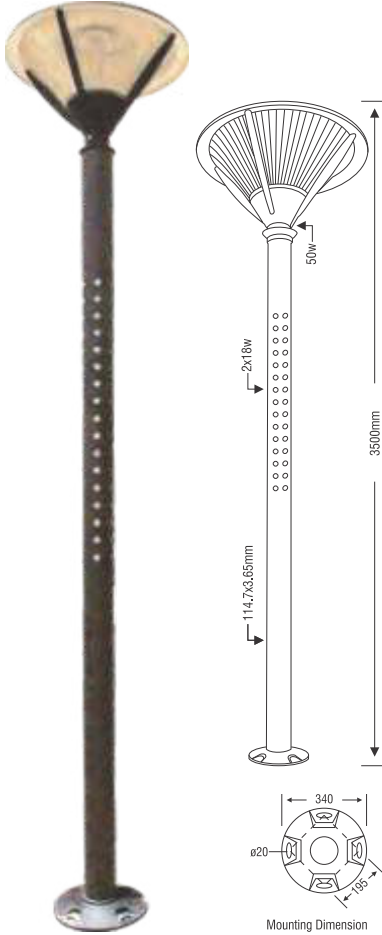


# DECORATIVE POLES

Lighting The World 



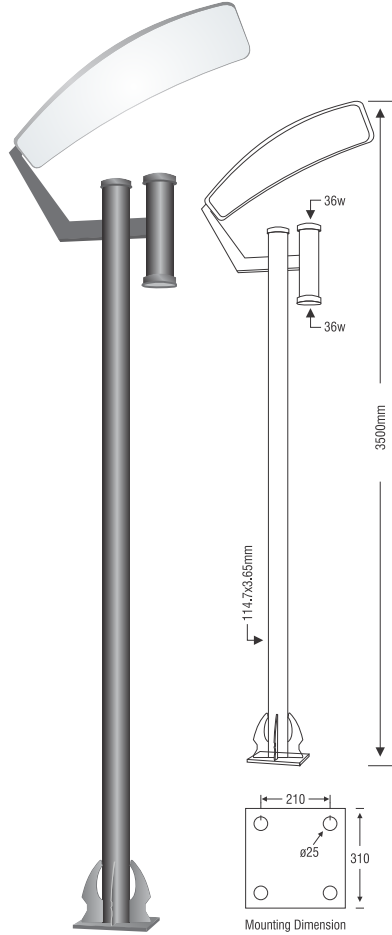
## VSTP-42



| CAT NO.      | HEIGHT (mm.) | WATTAGE | M.R.P (Rs.) |
|--------------|--------------|---------|-------------|
| VSTP-DP42-35 | 3500         | 50 w    | 65100.00    |

VSTP - Decorative Pole complete with Cast Aluminium Pole duly Polyurethane painted.

## VSTP-43



| CAT NO.      | HEIGHT (mm.) | WATTAGE | M.R.P (Rs.) |
|--------------|--------------|---------|-------------|
| VSTP-DP43-35 | 3500         | 2x36 w  | 48825.00    |

VSTP - Decorative Pole complete with Round G.I. Tubes duly Polyurethane painted.

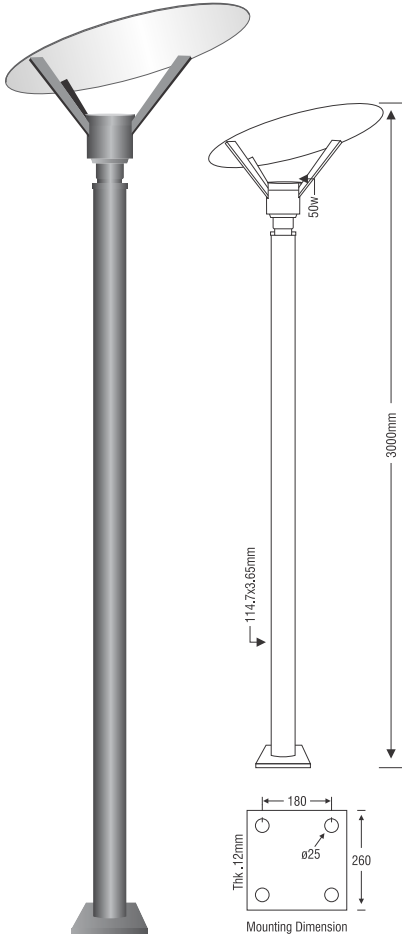


# DECORATIVE POLES

Lighting The World 



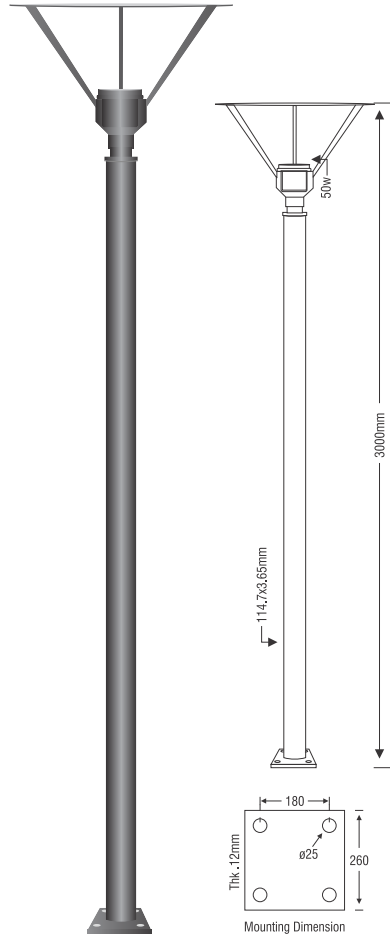
## VSTP-44



| CAT NO.      | HEIGHT (mm.) | WATTAGE | M.R.P (Rs.) |
|--------------|--------------|---------|-------------|
| VSTP-DP44-30 | 3000         | 50 w    | 42700.00    |

VSTP - Decorative Pole complete with Round G.I. Tubes duly Polyurethane painted.

## VSTP-45

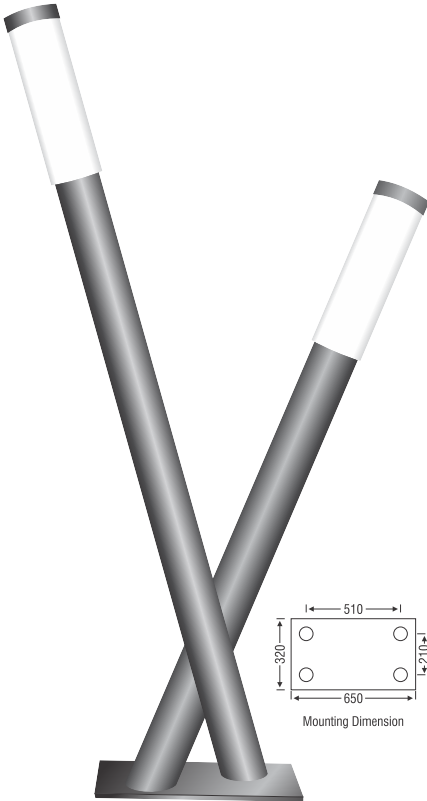


| CAT NO.      | HEIGHT (mm.) | WATTAGE | M.R.P (Rs.) |
|--------------|--------------|---------|-------------|
| VSTP-DP45-30 | 3000         | 50 w    | 43100.00    |

VSTP - Decorative Pole complete with Round G.I. Tubes duly Polyurethane painted.



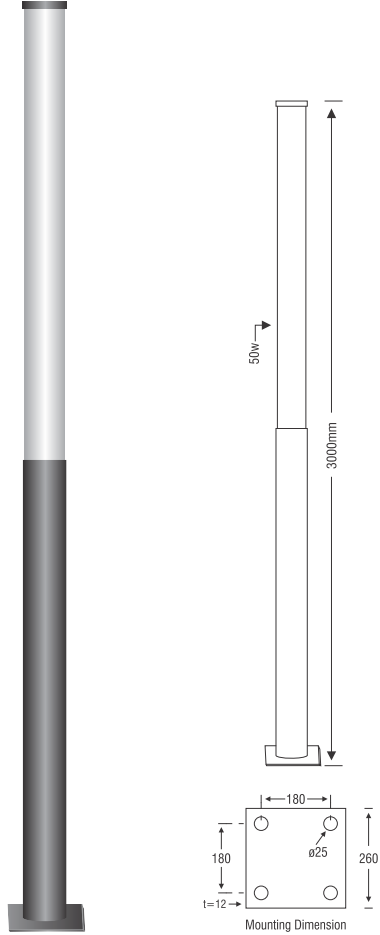
**VSTP-46** 



| CAT NO.      | HEIGHT (mm.) | WATTAGE | M.R.P (Rs.) |
|--------------|--------------|---------|-------------|
| VSTP-DP46-28 | 2800         | 2x45 w  | 82800.00    |

**VSTP** - Decorative Pole complete with Round G.I. Tubes duly Polyurethane painted.

**VSTP-47** 



| CAT NO.      | HEIGHT (mm.) | WATTAGE | M.R.P (Rs.) |
|--------------|--------------|---------|-------------|
| VSTP-DP47-28 | 2800         | 45 w    | 46500.00    |

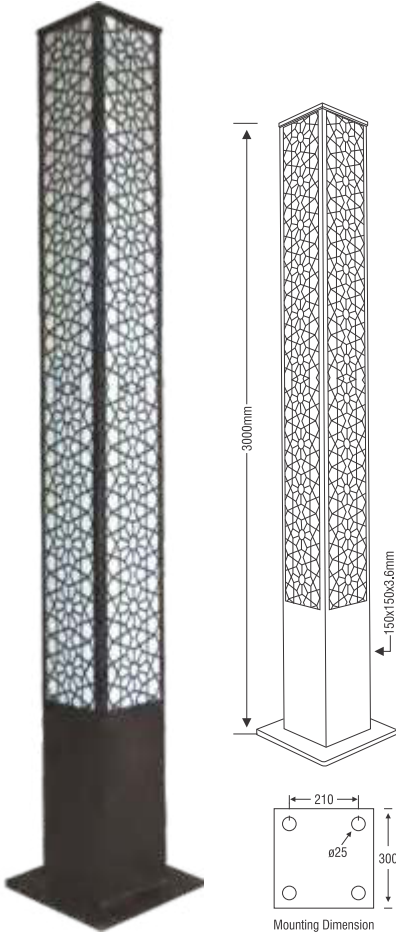
**VSTP** - Decorative Pole complete with Round G.I. Tubes duly Polyurethane painted.

# DECORATIVE POLES

Lighting The World 



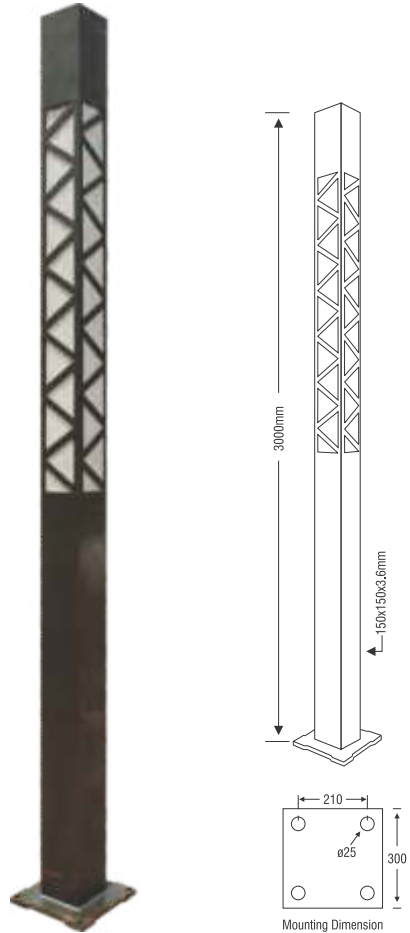
## VSTP-48



| CAT NO.      | HEIGHT (mm.) | WATTAGE | M.R.P. (Rs.) |
|--------------|--------------|---------|--------------|
| VSTP-DP48-28 | 2800         | 4x18 w  | 60685.00     |

VSTP - Decorative Pole complete with Square G.I. Tubes dully Polyurethane painted.

## VSTP-49




| CAT NO.      | HEIGHT (mm.) | WATTAGE | M.R.P. (Rs.) |
|--------------|--------------|---------|--------------|
| VSTP-DP49-30 | 3000         | 4x18 w  | 44050.00     |

VSTP - Decorative Pole complete with Square G.I. Tubes dully Polyurethane painted.



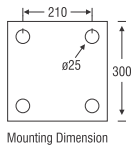
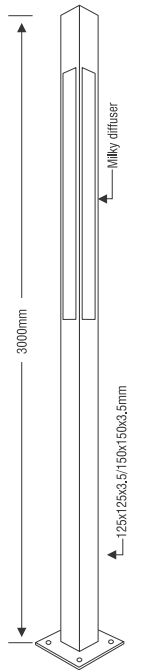


# DECORATIVE POLES

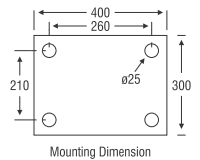
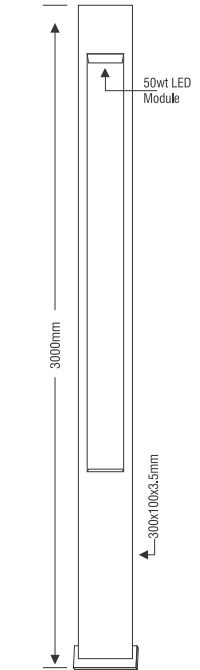
Lighting The World 



## VSTP-50



## VSTP-51



| CAT NO.       | HEIGHT (mm.) | WATTAGE | M.R.P (Rs.) |
|---------------|--------------|---------|-------------|
| VSTP-DP50-30  | 3000         | 4x18 w  | 38200.00    |
| VSTP-DP50-30A | 3000         | 4x18 w  | 42700.00    |

**VSTP** - Decorative Pole complete with Square G.I. Tubes duly Polyurethane painted.

| CAT NO.      | HEIGHT (mm.) | WATTAGE | M.R.P (Rs.) |
|--------------|--------------|---------|-------------|
| VSTP-DP51-30 | 3000         | 50 w    | 48825.00    |


**VSTP** - Decorative Pole complete with Square G.I. Tubes duly Polyurethane painted.



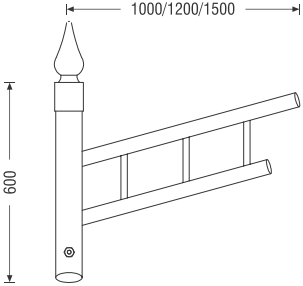
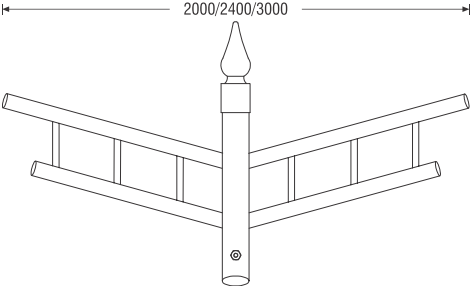
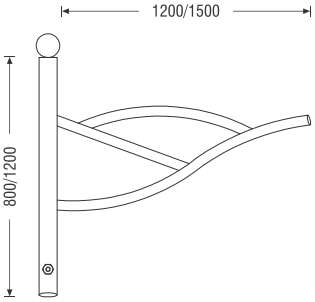
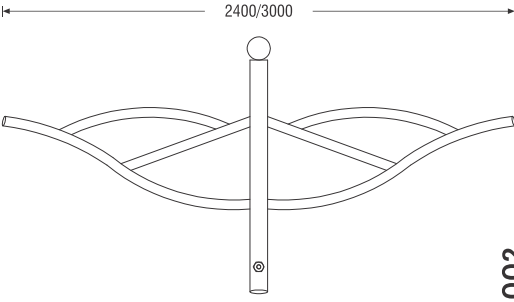
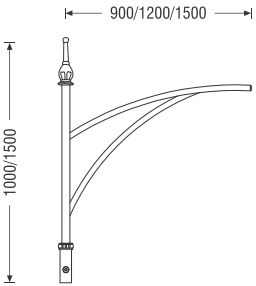
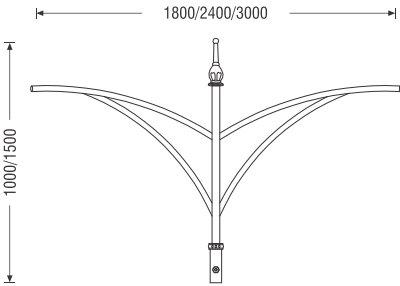
# ***DECORATIVE BRACKETS***



# DECORATIVE BRACKET

Lighting The World 



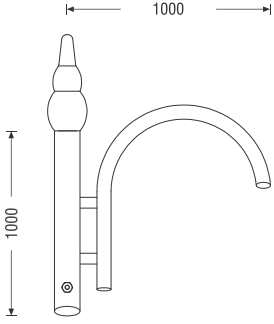
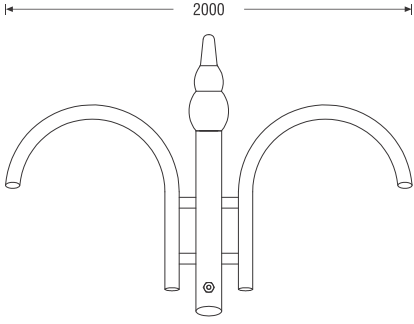
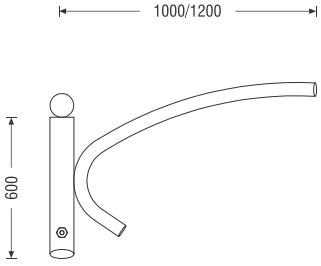
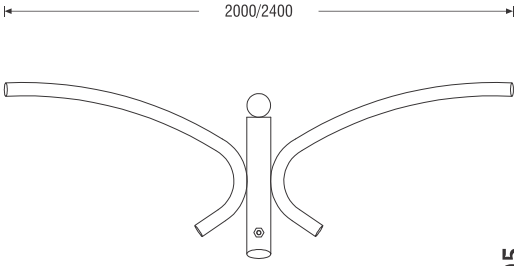
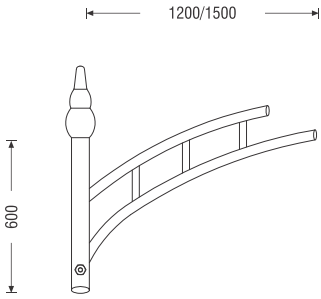
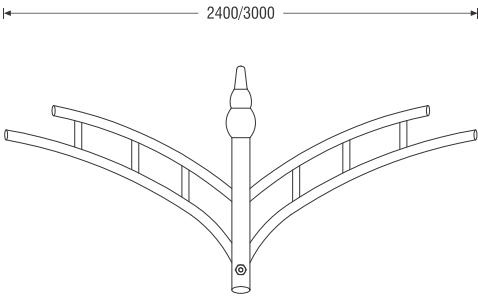
|  <table border="1" data-bbox="162 525 464 624"> <thead> <tr> <th>CAT NO.</th> <th>M.R.P. (Rs.)</th> </tr> </thead> <tbody> <tr> <td>VSTP-B001-601001</td> <td>5880.00</td> </tr> <tr> <td>VSTP-B001-601201</td> <td>6335.00</td> </tr> <tr> <td>VSTP-B001-601501</td> <td>6790.00</td> </tr> </tbody> </table>    | CAT NO.      | M.R.P. (Rs.) | VSTP-B001-601001 | 5880.00 | VSTP-B001-601201 | 6335.00 | VSTP-B001-601501  | 6790.00 |  <table border="1" data-bbox="656 525 958 624"> <thead> <tr> <th>CAT NO.</th> <th>M.R.P. (Rs.)</th> </tr> </thead> <tbody> <tr> <td>VSTP-B001-602002</td> <td>8855.00</td> </tr> <tr> <td>VSTP-B001-602402</td> <td>9765.00</td> </tr> <tr> <td>VSTP-B001-603002</td> <td>10675.00</td> </tr> </tbody> </table>      | CAT NO.          | M.R.P. (Rs.) | VSTP-B001-602002 | 8855.00  | VSTP-B001-602402 | 9765.00  | VSTP-B001-603002 | 10675.00 |
|--|--------------|--------------|------------------|---------|------------------|---------|---|---------|--|------------------|--------------|------------------|----------|------------------|----------|------------------|----------|
| CAT NO.  | M.R.P. (Rs.) |              |                  |         |                  |         |   |         |  |                  |              |                  |          |                  |          |                  |          |
| VSTP-B001-601001   | 5880.00      |              |                  |         |                  |         |   |         |  |                  |              |                  |          |                  |          |                  |          |
| VSTP-B001-601201   | 6335.00      |              |                  |         |                  |         |   |         |  |                  |              |                  |          |                  |          |                  |          |
| VSTP-B001-601501   | 6790.00      |              |                  |         |                  |         |   |         |  |                  |              |                  |          |                  |          |                  |          |
| CAT NO.  | M.R.P. (Rs.) |              |                  |         |                  |         |   |         |  |                  |              |                  |          |                  |          |                  |          |
| VSTP-B001-602002   | 8855.00      |              |                  |         |                  |         |   |         |  |                  |              |                  |          |                  |          |                  |          |
| VSTP-B001-602402   | 9765.00      |              |                  |         |                  |         |   |         |  |                  |              |                  |          |                  |          |                  |          |
| VSTP-B001-603002   | 10675.00     |              |                  |         |                  |         |   |         |  |                  |              |                  |          |                  |          |                  |          |
|  <table border="1" data-bbox="162 966 464 1037"> <thead> <tr> <th>CAT NO.</th> <th>M.R.P. (Rs.)</th> </tr> </thead> <tbody> <tr> <td>VSTP-B002-801201</td> <td>8085.00</td> </tr> <tr> <td>VSTP-B002-121501</td> <td>9450.00</td> </tr> </tbody> </table>   | CAT NO.      | M.R.P. (Rs.) | VSTP-B002-801201 | 8085.00 | VSTP-B002-121501 | 9450.00 |  <table border="1" data-bbox="656 966 958 1037"> <thead> <tr> <th>CAT NO.</th> <th>M.R.P. (Rs.)</th> </tr> </thead> <tbody> <tr> <td>VSTP-B002-802402</td> <td>13090.00</td> </tr> <tr> <td>VSTP-B002-123002</td> <td>14455.00</td> </tr> </tbody> </table> | CAT NO. | M.R.P. (Rs.)   | VSTP-B002-802402 | 13090.00     | VSTP-B002-123002 | 14455.00 |                  |          |                  |          |
| CAT NO.  | M.R.P. (Rs.) |              |                  |         |                  |         |   |         |  |                  |              |                  |          |                  |          |                  |          |
| VSTP-B002-801201   | 8085.00      |              |                  |         |                  |         |   |         |  |                  |              |                  |          |                  |          |                  |          |
| VSTP-B002-121501   | 9450.00      |              |                  |         |                  |         |   |         |  |                  |              |                  |          |                  |          |                  |          |
| CAT NO.  | M.R.P. (Rs.) |              |                  |         |                  |         |   |         |  |                  |              |                  |          |                  |          |                  |          |
| VSTP-B002-802402   | 13090.00     |              |                  |         |                  |         |   |         |  |                  |              |                  |          |                  |          |                  |          |
| VSTP-B002-123002   | 14455.00     |              |                  |         |                  |         |   |         |  |                  |              |                  |          |                  |          |                  |          |
|  <table border="1" data-bbox="162 1354 464 1450"> <thead> <tr> <th>CAT NO.</th> <th>M.R.P. (Rs.)</th> </tr> </thead> <tbody> <tr> <td>VSTP-B003-10901</td> <td>7770.00</td> </tr> <tr> <td>VSTP-B003-151201</td> <td>8640.00</td> </tr> <tr> <td>VSTP-B003-151501</td> <td>9590.00</td> </tr> </tbody> </table> | CAT NO.      | M.R.P. (Rs.) | VSTP-B003-10901  | 7770.00 | VSTP-B003-151201 | 8640.00 | VSTP-B003-151501  | 9590.00 |  <table border="1" data-bbox="656 1354 958 1450"> <thead> <tr> <th>CAT NO.</th> <th>M.R.P. (Rs.)</th> </tr> </thead> <tbody> <tr> <td>VSTP-B003-101802</td> <td>10955.00</td> </tr> <tr> <td>VSTP-B003-152402</td> <td>12775.00</td> </tr> <tr> <td>VSTP-B003-153002</td> <td>14595.00</td> </tr> </tbody> </table> | CAT NO.          | M.R.P. (Rs.) | VSTP-B003-101802 | 10955.00 | VSTP-B003-152402 | 12775.00 | VSTP-B003-153002 | 14595.00 |
| CAT NO.  | M.R.P. (Rs.) |              |                  |         |                  |         |   |         |  |                  |              |                  |          |                  |          |                  |          |
| VSTP-B003-10901  | 7770.00      |              |                  |         |                  |         |   |         |  |                  |              |                  |          |                  |          |                  |          |
| VSTP-B003-151201   | 8640.00      |              |                  |         |                  |         |   |         |  |                  |              |                  |          |                  |          |                  |          |
| VSTP-B003-151501   | 9590.00      |              |                  |         |                  |         |   |         |  |                  |              |                  |          |                  |          |                  |          |
| CAT NO.  | M.R.P. (Rs.) |              |                  |         |                  |         |   |         |  |                  |              |                  |          |                  |          |                  |          |
| VSTP-B003-101802   | 10955.00     |              |                  |         |                  |         |   |         |  |                  |              |                  |          |                  |          |                  |          |
| VSTP-B003-152402   | 12775.00     |              |                  |         |                  |         |   |         |  |                  |              |                  |          |                  |          |                  |          |
| VSTP-B003-153002   | 14595.00     |              |                  |         |                  |         |   |         |  |                  |              |                  |          |                  |          |                  |          |



# DECORATIVE BRACKET

Lighting The World 

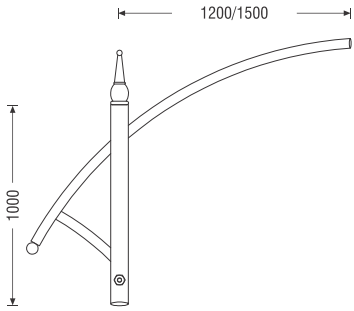


|  <table border="1" data-bbox="162 574 464 624"> <thead> <tr> <th>CAT NO.</th> <th>M.R.P. (Rs.)</th> </tr> </thead> <tbody> <tr> <td>VSTP-B004-101001</td> <td>7700.00</td> </tr> </tbody> </table> <p style="text-align: right;"><b>VSTP-B004</b></p>   | CAT NO.      | M.R.P. (Rs.) | VSTP-B004-101001 | 7700.00 |  <table border="1" data-bbox="656 574 958 624"> <thead> <tr> <th>CAT NO.</th> <th>M.R.P. (Rs.)</th> </tr> </thead> <tbody> <tr> <td>VSTP-B004-102002</td> <td>11795.00</td> </tr> </tbody> </table> <p style="text-align: right;"><b>VSTP-B004</b></p> | CAT NO. | M.R.P. (Rs.)  | VSTP-B004-102002 | 11795.00     |                  |          |                  |          |
|--|--------------|--------------|------------------|---------|--|---------|---|------------------|--------------|------------------|----------|------------------|----------|
| CAT NO.  | M.R.P. (Rs.) |              |                  |         |  |         |   |                  |              |                  |          |                  |          |
| VSTP-B004-101001   | 7700.00      |              |                  |         |  |         |   |                  |              |                  |          |                  |          |
| CAT NO.  | M.R.P. (Rs.) |              |                  |         |  |         |   |                  |              |                  |          |                  |          |
| VSTP-B004-102002   | 11795.00     |              |                  |         |  |         |   |                  |              |                  |          |                  |          |
|  <table border="1" data-bbox="162 963 464 1037"> <thead> <tr> <th>CAT NO.</th> <th>M.R.P. (Rs.)</th> </tr> </thead> <tbody> <tr> <td>VSTP-B005-601001</td> <td>4445.00</td> </tr> <tr> <td>VSTP-B005-601201</td> <td>4695.00</td> </tr> </tbody> </table> <p style="text-align: right;"><b>VSTP-B005</b></p>    | CAT NO.      | M.R.P. (Rs.) | VSTP-B005-601001 | 4445.00 | VSTP-B005-601201   | 4695.00 |  <table border="1" data-bbox="656 963 958 1037"> <thead> <tr> <th>CAT NO.</th> <th>M.R.P. (Rs.)</th> </tr> </thead> <tbody> <tr> <td>VSTP-B005-602002</td> <td>6720.00</td> </tr> <tr> <td>VSTP-B005-602402</td> <td>7220.00</td> </tr> </tbody> </table> <p style="text-align: right;"><b>VSTP-B005</b></p>      | CAT NO.          | M.R.P. (Rs.) | VSTP-B005-602002 | 6720.00  | VSTP-B005-602402 | 7220.00  |
| CAT NO.  | M.R.P. (Rs.) |              |                  |         |  |         |   |                  |              |                  |          |                  |          |
| VSTP-B005-601001   | 4445.00      |              |                  |         |  |         |   |                  |              |                  |          |                  |          |
| VSTP-B005-601201   | 4695.00      |              |                  |         |  |         |   |                  |              |                  |          |                  |          |
| CAT NO.  | M.R.P. (Rs.) |              |                  |         |  |         |   |                  |              |                  |          |                  |          |
| VSTP-B005-602002   | 6720.00      |              |                  |         |  |         |   |                  |              |                  |          |                  |          |
| VSTP-B005-602402   | 7220.00      |              |                  |         |  |         |   |                  |              |                  |          |                  |          |
|  <table border="1" data-bbox="162 1376 464 1450"> <thead> <tr> <th>CAT NO.</th> <th>M.R.P. (Rs.)</th> </tr> </thead> <tbody> <tr> <td>VSTP-B006-601201</td> <td>6720.00</td> </tr> <tr> <td>VSTP-B006-601501</td> <td>7630.00</td> </tr> </tbody> </table> <p style="text-align: right;"><b>VSTP-B006</b></p> | CAT NO.      | M.R.P. (Rs.) | VSTP-B006-601201 | 6720.00 | VSTP-B006-601501   | 7630.00 |  <table border="1" data-bbox="656 1376 958 1450"> <thead> <tr> <th>CAT NO.</th> <th>M.R.P. (Rs.)</th> </tr> </thead> <tbody> <tr> <td>VSTP-B006-602402</td> <td>11270.00</td> </tr> <tr> <td>VSTP-B006-603002</td> <td>13090.00</td> </tr> </tbody> </table> <p style="text-align: right;"><b>VSTP-B006</b></p> | CAT NO.          | M.R.P. (Rs.) | VSTP-B006-602402 | 11270.00 | VSTP-B006-603002 | 13090.00 |
| CAT NO.  | M.R.P. (Rs.) |              |                  |         |  |         |   |                  |              |                  |          |                  |          |
| VSTP-B006-601201   | 6720.00      |              |                  |         |  |         |   |                  |              |                  |          |                  |          |
| VSTP-B006-601501   | 7630.00      |              |                  |         |  |         |   |                  |              |                  |          |                  |          |
| CAT NO.  | M.R.P. (Rs.) |              |                  |         |  |         |   |                  |              |                  |          |                  |          |
| VSTP-B006-602402   | 11270.00     |              |                  |         |  |         |   |                  |              |                  |          |                  |          |
| VSTP-B006-603002   | 13090.00     |              |                  |         |  |         |   |                  |              |                  |          |                  |          |



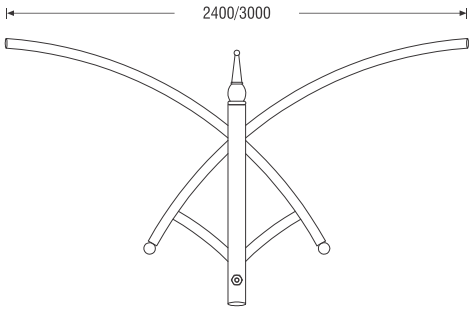
# DECORATIVE BRACKET

Lighting The World 

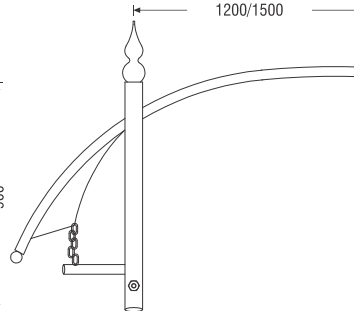
| CAT NO.          | M.R.P. (Rs.) |
|------------------|--------------|
| VSTP-B007-101201 | 14700.00     |
| VSTP-B007-101501 | 15750.00     |

**VSTP - B007**



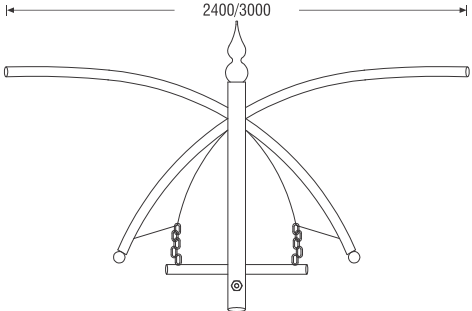
| CAT NO.          | M.R.P. (Rs.) |
|------------------|--------------|
| VSTP-B007-102402 | 19600.00     |
| VSTP-B007-103002 | 21350.00     |

**VSTP - B007**



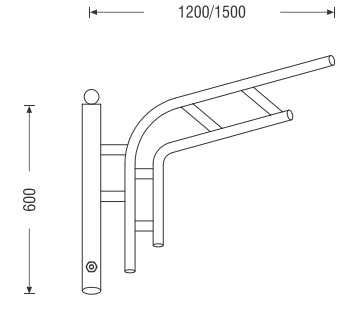
| CAT NO.          | M.R.P. (Rs.) |
|------------------|--------------|
| VSTP-B008-901201 | 15650.00     |
| VSTP-B008-901501 | 16500.00     |

**VSTP - B008**



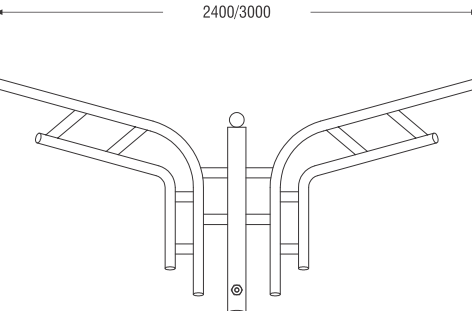
| CAT NO.          | M.R.P. (Rs.) |
|------------------|--------------|
| VSTP-B008-902402 | 20800.00     |
| VSTP-B008-903002 | 22600.00     |

**VSTP - B008**



| CAT NO.          | M.R.P. (Rs.) |
|------------------|--------------|
| VSTP-B009-601201 | 10500.00     |
| VSTP-B009-601501 | 11500.00     |

**VSTP - B009**



| CAT NO.          | M.R.P. (Rs.) |
|------------------|--------------|
| VSTP-B009-602402 | 18200.00     |
| VSTP-B009-603002 | 19950.00     |

**VSTP - B009**




# DECORATIVE BRACKET

Lighting The World 



1200/1500

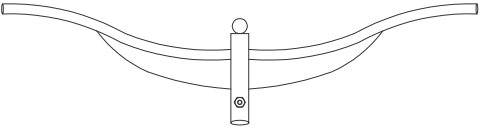


300

| CAT NO.          | M.R.P. (Rs.) |
|------------------|--------------|
| VSTP-B010-301201 | 3990.00      |
| VSTP-B010-301501 | 4445.00      |

**VSTP - B010**

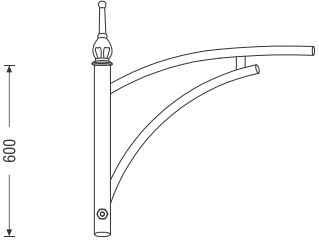
2400/3000



| CAT NO.          | M.R.P. (Rs.) |
|------------------|--------------|
| VSTP-B010-302402 | 6265.00      |
| VSTP-B010-303002 | 7175.00      |

**VSTP - B010**

1200/1500

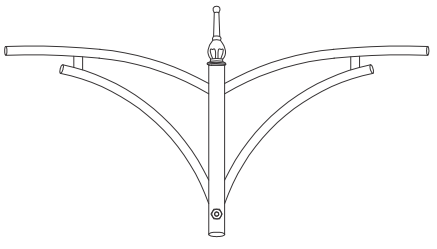


600

| CAT NO.          | M.R.P. (Rs.) |
|------------------|--------------|
| VSTP-B011-601201 | 7700.00      |
| VSTP-B011-601501 | 8680.00      |

**VSTP - B011**

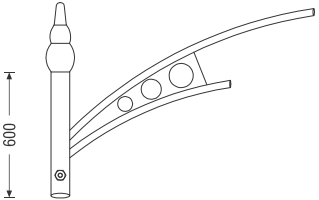
2400/3000



| CAT NO.          | M.R.P. (Rs.) |
|------------------|--------------|
| VSTP-B011-602402 | 11800.00     |
| VSTP-B011-603002 | 13700.00     |

**VSTP - B011**

1200/1500

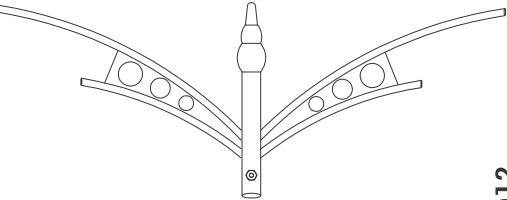


600

| CAT NO.          | M.R.P. (Rs.) |
|------------------|--------------|
| VSTP-B012-601201 | 7100.00      |
| VSTP-B012-601501 | 8100.00      |

**VSTP - B012**

2400/3000



| CAT NO.          | M.R.P. (Rs.) |
|------------------|--------------|
| VSTP-B012-602402 | 10200.00     |
| VSTP-B012-603002 | 12650.00     |

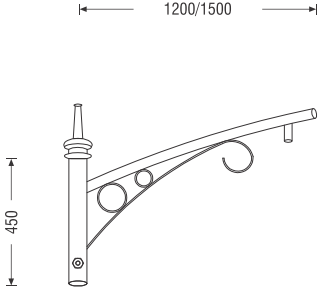
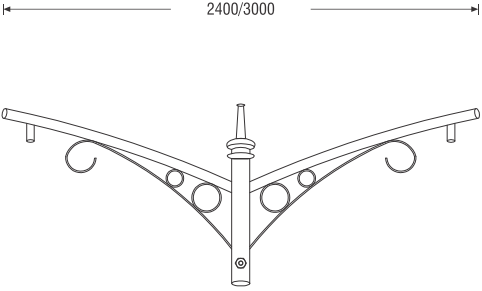
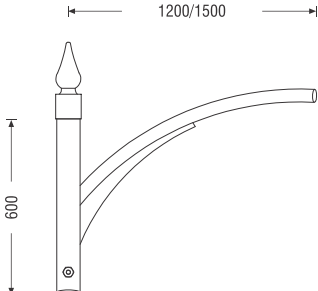
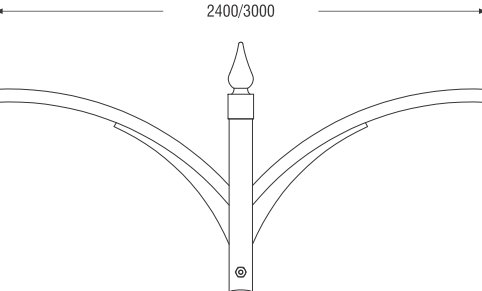
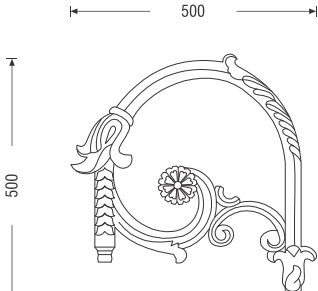
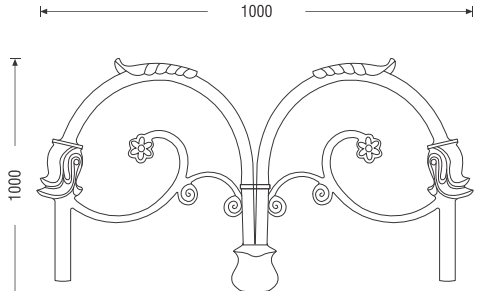
**VSTP - B012**



# DECORATIVE BRACKET

Lighting The World 



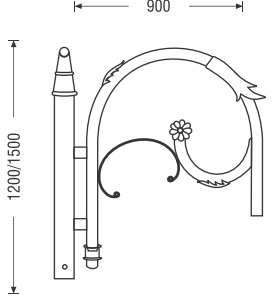
|  <p>1200/1500</p> <p>450</p> <table border="1"> <thead> <tr> <th>CAT NO.</th> <th>M.R.P. (Rs.)</th> </tr> </thead> <tbody> <tr> <td>VSTP-B013-451201</td> <td>6405.00</td> </tr> <tr> <td>VSTP-B013-451501</td> <td>7315.00</td> </tr> </tbody> </table> <p><b>VSTP-B013</b></p> | CAT NO.      | M.R.P. (Rs.) | VSTP-B013-451201 | 6405.00  | VSTP-B013-451501  | 7315.00 |  <p>2400/3000</p> <table border="1"> <thead> <tr> <th>CAT NO.</th> <th>M.R.P. (Rs.)</th> </tr> </thead> <tbody> <tr> <td>VSTP-B013-452402</td> <td>9135.00</td> </tr> <tr> <td>VSTP-B013-453002</td> <td>10955.00</td> </tr> </tbody> </table> <p><b>VSTP-B013</b></p> | CAT NO.          | M.R.P. (Rs.) | VSTP-B013-452402 | 9135.00 | VSTP-B013-453002 | 10955.00 |
|---|--------------|--------------|------------------|----------|---|---------|--|------------------|--------------|------------------|---------|------------------|----------|
| CAT NO.   | M.R.P. (Rs.) |              |                  |          |   |         |  |                  |              |                  |         |                  |          |
| VSTP-B013-451201  | 6405.00      |              |                  |          |   |         |  |                  |              |                  |         |                  |          |
| VSTP-B013-451501  | 7315.00      |              |                  |          |   |         |  |                  |              |                  |         |                  |          |
| CAT NO.   | M.R.P. (Rs.) |              |                  |          |   |         |  |                  |              |                  |         |                  |          |
| VSTP-B013-452402  | 9135.00      |              |                  |          |   |         |  |                  |              |                  |         |                  |          |
| VSTP-B013-453002  | 10955.00     |              |                  |          |   |         |  |                  |              |                  |         |                  |          |
|  <p>1200/1500</p> <p>600</p> <table border="1"> <thead> <tr> <th>CAT NO.</th> <th>M.R.P. (Rs.)</th> </tr> </thead> <tbody> <tr> <td>VSTP-B014-601201</td> <td>5880.00</td> </tr> <tr> <td>VSTP-B014-601501</td> <td>6790.00</td> </tr> </tbody> </table> <p><b>VSTP-B014</b></p> | CAT NO.      | M.R.P. (Rs.) | VSTP-B014-601201 | 5880.00  | VSTP-B014-601501  | 6790.00 |  <p>2400/3000</p> <table border="1"> <thead> <tr> <th>CAT NO.</th> <th>M.R.P. (Rs.)</th> </tr> </thead> <tbody> <tr> <td>VSTP-B014-602402</td> <td>8610.00</td> </tr> <tr> <td>VSTP-B014-603002</td> <td>10430.00</td> </tr> </tbody> </table> <p><b>VSTP-B014</b></p> | CAT NO.          | M.R.P. (Rs.) | VSTP-B014-602402 | 8610.00 | VSTP-B014-603002 | 10430.00 |
| CAT NO.   | M.R.P. (Rs.) |              |                  |          |   |         |  |                  |              |                  |         |                  |          |
| VSTP-B014-601201  | 5880.00      |              |                  |          |   |         |  |                  |              |                  |         |                  |          |
| VSTP-B014-601501  | 6790.00      |              |                  |          |   |         |  |                  |              |                  |         |                  |          |
| CAT NO.   | M.R.P. (Rs.) |              |                  |          |   |         |  |                  |              |                  |         |                  |          |
| VSTP-B014-602402  | 8610.00      |              |                  |          |   |         |  |                  |              |                  |         |                  |          |
| VSTP-B014-603002  | 10430.00     |              |                  |          |   |         |  |                  |              |                  |         |                  |          |
|  <p>500</p> <p>500</p> <table border="1"> <thead> <tr> <th>CAT NO.</th> <th>M.R.P. (Rs.)</th> </tr> </thead> <tbody> <tr> <td>VSTP-B015-50501</td> <td>13700.00</td> </tr> </tbody> </table> <p><b>VSTP-B015</b></p>   | CAT NO.      | M.R.P. (Rs.) | VSTP-B015-50501  | 13700.00 |  <p>1000</p> <table border="1"> <thead> <tr> <th>CAT NO.</th> <th>M.R.P. (Rs.)</th> </tr> </thead> <tbody> <tr> <td>VSTP-B016-101002</td> <td>24500.00</td> </tr> </tbody> </table> <p><b>VSTP-B016</b></p> | CAT NO. | M.R.P. (Rs.)   | VSTP-B016-101002 | 24500.00     |                  |         |                  |          |
| CAT NO.   | M.R.P. (Rs.) |              |                  |          |   |         |  |                  |              |                  |         |                  |          |
| VSTP-B015-50501   | 13700.00     |              |                  |          |   |         |  |                  |              |                  |         |                  |          |
| CAT NO.   | M.R.P. (Rs.) |              |                  |          |   |         |  |                  |              |                  |         |                  |          |
| VSTP-B016-101002  | 24500.00     |              |                  |          |   |         |  |                  |              |                  |         |                  |          |

T.



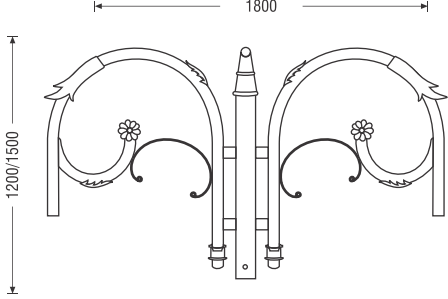
# DECORATIVE BRACKET

Lighting The World 

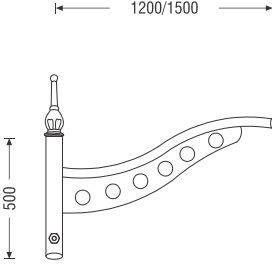
| CAT NO.         | M.R.P. (Rs.) |
|-----------------|--------------|
| VSTP-B017-12901 | 13440.00     |
| VSTP-B017-15901 | 15950.00     |

**VSTP-B017**



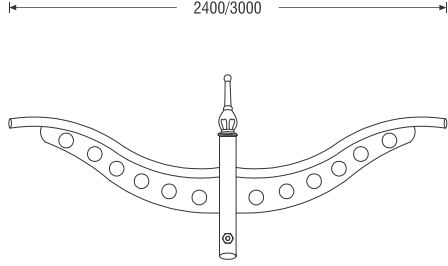
| CAT NO.          | M.R.P. (Rs.) |
|------------------|--------------|
| VSTP-B017-121802 | 19325.00     |
| VSTP-B017-151802 | 22000.00     |

**VSTP-B017**



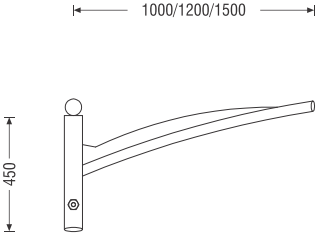
| CAT NO.          | M.R.P. (Rs.) |
|------------------|--------------|
| VSTP-B018-501201 | 6860.00      |
| VSTP-B018-501501 | 7960.00      |

**VSTP-B018**



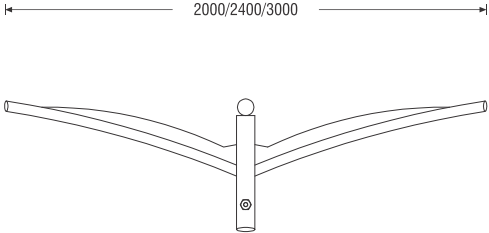
| CAT NO.          | M.R.P. (Rs.) |
|------------------|--------------|
| VSTP-B018-502402 | 9765.00      |
| VSTP-B018-503002 | 11600.00     |

**VSTP-B018**



| CAT NO.          | M.R.P. (Rs.) |
|------------------|--------------|
| VSTP-B019-101201 | 4340.00      |
| VSTP-B019-101501 | 5425.00      |
| VSTP-B019-101501 | 6335.00      |

**VSTP-B019**




| CAT NO.          | M.R.P. (Rs.) |
|------------------|--------------|
| VSTP-B019-601201 | 6790.00      |
| VSTP-B019-601501 | 8610.00      |
| VSTP-B019-601501 | 10430.00     |

**VSTP-B019**

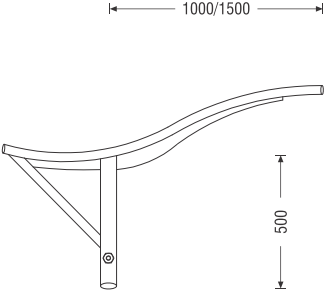
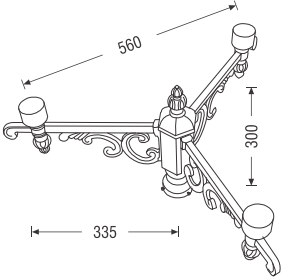
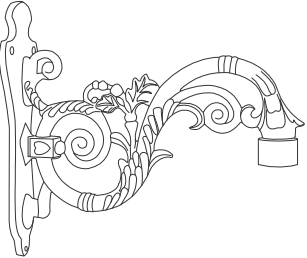

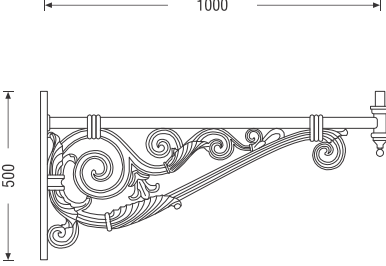
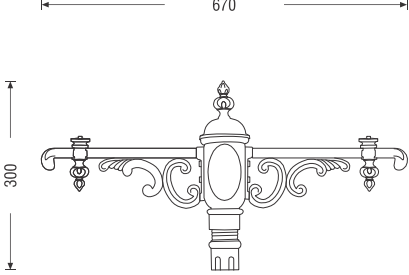




# DECORATIVE BRACKET

Lighting The World 

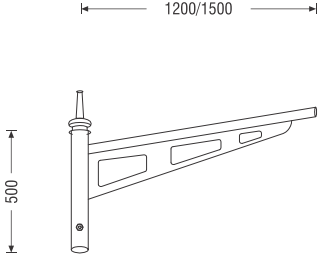


|  <table border="1" data-bbox="162 551 468 624"> <thead> <tr> <th>CAT NO.</th> <th>M.R.P. (Rs.)</th> </tr> </thead> <tbody> <tr> <td>VSTP-B020-501001</td> <td>6370.00</td> </tr> <tr> <td>VSTP-B020-501501</td> <td>7735.00</td> </tr> </tbody> </table> <p style="text-align: right;"><b>VSTP - B020</b></p> | CAT NO.      | M.R.P. (Rs.) | VSTP-B020-501001 | 6370.00  | VSTP-B020-501501   | 7735.00 |  <table border="1" data-bbox="653 551 959 598"> <thead> <tr> <th>CAT NO.</th> <th>M.R.P. (Rs.)</th> </tr> </thead> <tbody> <tr> <td>VSTP-B021</td> <td>10160.00</td> </tr> </tbody> </table> <p style="text-align: right;"><b>VSTP - B021</b></p> | CAT NO.          | M.R.P. (Rs.) | VSTP-B021 | 10160.00 |
|--|--------------|--------------|------------------|----------|--|---------|--|------------------|--------------|-----------|----------|
| CAT NO.  | M.R.P. (Rs.) |              |                  |          |  |         |  |                  |              |           |          |
| VSTP-B020-501001   | 6370.00      |              |                  |          |  |         |  |                  |              |           |          |
| VSTP-B020-501501   | 7735.00      |              |                  |          |  |         |  |                  |              |           |          |
| CAT NO.  | M.R.P. (Rs.) |              |                  |          |  |         |  |                  |              |           |          |
| VSTP-B021  | 10160.00     |              |                  |          |  |         |  |                  |              |           |          |
|  <table border="1" data-bbox="162 991 468 1037"> <thead> <tr> <th>CAT NO.</th> <th>M.R.P. (Rs.)</th> </tr> </thead> <tbody> <tr> <td>VSTP-B022</td> <td>22400.00</td> </tr> </tbody> </table> <p style="text-align: right;"><b>VSTP - B022</b></p>  | CAT NO.      | M.R.P. (Rs.) | VSTP-B022        | 22400.00 |  <table border="1" data-bbox="653 991 959 1037"> <thead> <tr> <th>CAT NO.</th> <th>M.R.P. (Rs.)</th> </tr> </thead> <tbody> <tr> <td>VSTP-B023</td> <td>11600.00</td> </tr> </tbody> </table> <p style="text-align: right;"><b>VSTP - B023</b></p>           | CAT NO. | M.R.P. (Rs.)   | VSTP-B023        | 11600.00     |           |          |
| CAT NO.  | M.R.P. (Rs.) |              |                  |          |  |         |  |                  |              |           |          |
| VSTP-B022  | 22400.00     |              |                  |          |  |         |  |                  |              |           |          |
| CAT NO.  | M.R.P. (Rs.) |              |                  |          |  |         |  |                  |              |           |          |
| VSTP-B023  | 11600.00     |              |                  |          |  |         |  |                  |              |           |          |
|  <table border="1" data-bbox="162 1404 468 1450"> <thead> <tr> <th>CAT NO.</th> <th>M.R.P. (Rs.)</th> </tr> </thead> <tbody> <tr> <td>VSTP-B024-501001</td> <td>20600.00</td> </tr> </tbody> </table> <p style="text-align: right;"><b>VSTP - B024</b></p>  | CAT NO.      | M.R.P. (Rs.) | VSTP-B024-501001 | 20600.00 |  <table border="1" data-bbox="653 1404 959 1450"> <thead> <tr> <th>CAT NO.</th> <th>M.R.P. (Rs.)</th> </tr> </thead> <tbody> <tr> <td>VSTP-B025-306701</td> <td>25640.00</td> </tr> </tbody> </table> <p style="text-align: right;"><b>VSTP - B025</b></p> | CAT NO. | M.R.P. (Rs.)   | VSTP-B025-306701 | 25640.00     |           |          |
| CAT NO.  | M.R.P. (Rs.) |              |                  |          |  |         |  |                  |              |           |          |
| VSTP-B024-501001   | 20600.00     |              |                  |          |  |         |  |                  |              |           |          |
| CAT NO.  | M.R.P. (Rs.) |              |                  |          |  |         |  |                  |              |           |          |
| VSTP-B025-306701   | 25640.00     |              |                  |          |  |         |  |                  |              |           |          |



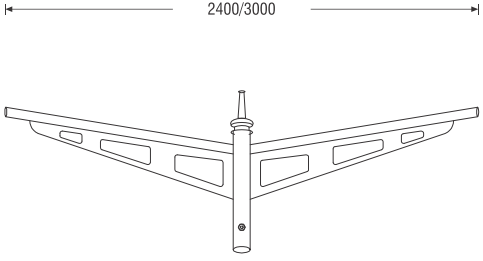
# DECORATIVE BRACKET

Lighting The World 

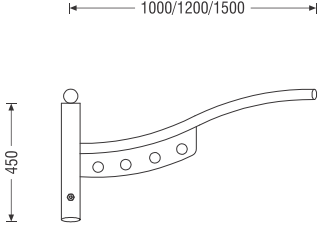
| CAT NO.          | M.R.P. (Rs.) |
|------------------|--------------|
| VSTP-B026-501201 | 6685.00      |
| VSTP-B026-501501 | 7595.00      |

**VSTP - B026**



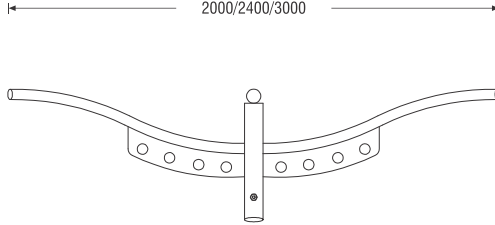
| CAT NO.          | M.R.P. (Rs.) |
|------------------|--------------|
| VSTP-B026-502402 | 10325.00     |
| VSTP-B026-503002 | 12145.00     |

**VSTP - B026**



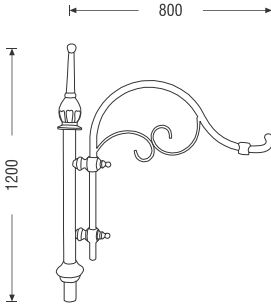
| CAT NO.          | M.R.P. (Rs.) |
|------------------|--------------|
| VSTP-B027-451001 | 4795.00      |
| VSTP-B027-451201 | 5880.00      |
| VSTP-B027-451501 | 6795.00      |

**VSTP - B027**



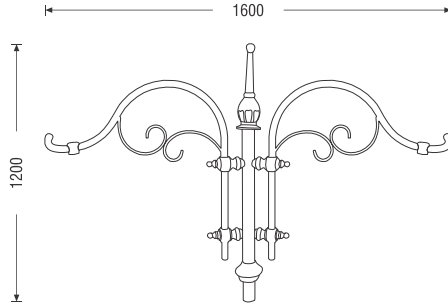
| CAT NO.          | M.R.P. (Rs.) |
|------------------|--------------|
| VSTP-B027-452002 | 7245.00      |
| VSTP-B027-452402 | 9065.00      |
| VSTP-B027-453002 | 10885.00     |

**VSTP - B027**



| CAT NO.         | M.R.P. (Rs.) |
|-----------------|--------------|
| VSTP-B028-12801 | 12750.00     |

**VSTP - B028**



| CAT NO.          | M.R.P. (Rs.) |
|------------------|--------------|
| VSTP-B028-121602 | 20800.00     |

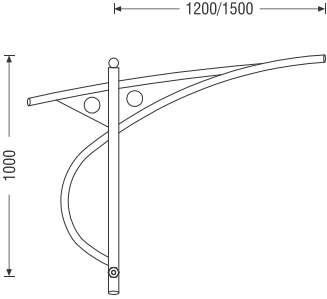
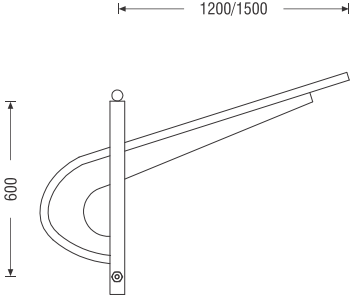
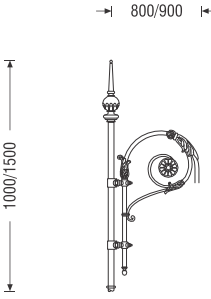
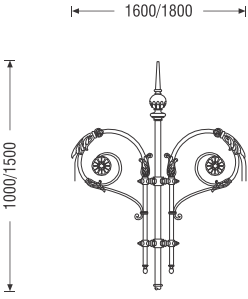
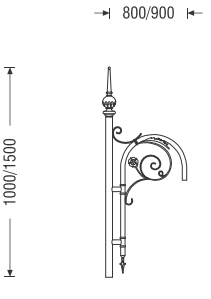
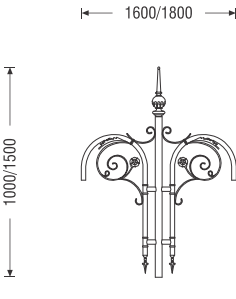
**VSTP - B028**



# DECORATIVE BRACKET

Lighting The World 

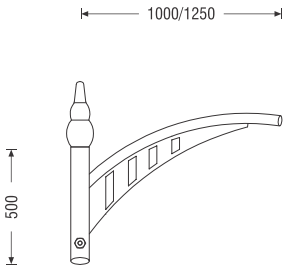


|  <p>1200/1500</p> <p>1000</p> <table border="1"> <thead> <tr> <th>CAT NO.</th> <th>M.R.P. (Rs.)</th> </tr> </thead> <tbody> <tr> <td>VSTP-B029-101201</td> <td>12145.00</td> </tr> <tr> <td>VSTP-B029-101501</td> <td>14105.00</td> </tr> </tbody> </table> <p><b>VSTP - B029</b></p>    | CAT NO.      | M.R.P. (Rs.) | VSTP-B029-101201 | 12145.00 | VSTP-B029-101501 | 14105.00 |  <p>1200/1500</p> <p>600</p> <table border="1"> <thead> <tr> <th>CAT NO.</th> <th>M.R.P. (Rs.)</th> </tr> </thead> <tbody> <tr> <td>VSTP-B030-601201</td> <td>9205.00</td> </tr> <tr> <td>VSTP-B030-601501</td> <td>10675.00</td> </tr> </tbody> </table> <p><b>VSTP - B030</b></p>          | CAT NO. | M.R.P. (Rs.) | VSTP-B030-601201 | 9205.00  | VSTP-B030-601501 | 10675.00 |
|---|--------------|--------------|------------------|----------|------------------|----------|---|---------|--------------|------------------|----------|------------------|----------|
| CAT NO.   | M.R.P. (Rs.) |              |                  |          |                  |          |   |         |              |                  |          |                  |          |
| VSTP-B029-101201  | 12145.00     |              |                  |          |                  |          |   |         |              |                  |          |                  |          |
| VSTP-B029-101501  | 14105.00     |              |                  |          |                  |          |   |         |              |                  |          |                  |          |
| CAT NO.   | M.R.P. (Rs.) |              |                  |          |                  |          |   |         |              |                  |          |                  |          |
| VSTP-B030-601201  | 9205.00      |              |                  |          |                  |          |   |         |              |                  |          |                  |          |
| VSTP-B030-601501  | 10675.00     |              |                  |          |                  |          |   |         |              |                  |          |                  |          |
|  <p>800/900</p> <p>1000/1500</p> <table border="1"> <thead> <tr> <th>CAT NO.</th> <th>M.R.P. (Rs.)</th> </tr> </thead> <tbody> <tr> <td>VSTP-B031-10801</td> <td>12550.00</td> </tr> <tr> <td>VSTP-B031-15901</td> <td>16270.00</td> </tr> </tbody> </table> <p><b>VSTP - B031</b></p>   | CAT NO.      | M.R.P. (Rs.) | VSTP-B031-10801  | 12550.00 | VSTP-B031-15901  | 16270.00 |  <p>1600/1800</p> <p>1000/1500</p> <table border="1"> <thead> <tr> <th>CAT NO.</th> <th>M.R.P. (Rs.)</th> </tr> </thead> <tbody> <tr> <td>VSTP-B031-101602</td> <td>17600.00</td> </tr> <tr> <td>VSTP-B031-101802</td> <td>24100.00</td> </tr> </tbody> </table> <p><b>VSTP - B031</b></p>   | CAT NO. | M.R.P. (Rs.) | VSTP-B031-101602 | 17600.00 | VSTP-B031-101802 | 24100.00 |
| CAT NO.   | M.R.P. (Rs.) |              |                  |          |                  |          |   |         |              |                  |          |                  |          |
| VSTP-B031-10801   | 12550.00     |              |                  |          |                  |          |   |         |              |                  |          |                  |          |
| VSTP-B031-15901   | 16270.00     |              |                  |          |                  |          |   |         |              |                  |          |                  |          |
| CAT NO.   | M.R.P. (Rs.) |              |                  |          |                  |          |   |         |              |                  |          |                  |          |
| VSTP-B031-101602  | 17600.00     |              |                  |          |                  |          |   |         |              |                  |          |                  |          |
| VSTP-B031-101802  | 24100.00     |              |                  |          |                  |          |   |         |              |                  |          |                  |          |
|  <p>800/900</p> <p>1000/1500</p> <table border="1"> <thead> <tr> <th>CAT NO.</th> <th>M.R.P. (Rs.)</th> </tr> </thead> <tbody> <tr> <td>VSTP-B032-10801</td> <td>16920.00</td> </tr> <tr> <td>VSTP-B032-15901</td> <td>22250.00</td> </tr> </tbody> </table> <p><b>VSTP - B032</b></p> | CAT NO.      | M.R.P. (Rs.) | VSTP-B032-10801  | 16920.00 | VSTP-B032-15901  | 22250.00 |  <p>1600/1800</p> <p>1000/1500</p> <table border="1"> <thead> <tr> <th>CAT NO.</th> <th>M.R.P. (Rs.)</th> </tr> </thead> <tbody> <tr> <td>VSTP-B032-101602</td> <td>24440.00</td> </tr> <tr> <td>VSTP-B032-151802</td> <td>29890.00</td> </tr> </tbody> </table> <p><b>VSTP - B032</b></p> | CAT NO. | M.R.P. (Rs.) | VSTP-B032-101602 | 24440.00 | VSTP-B032-151802 | 29890.00 |
| CAT NO.   | M.R.P. (Rs.) |              |                  |          |                  |          |   |         |              |                  |          |                  |          |
| VSTP-B032-10801   | 16920.00     |              |                  |          |                  |          |   |         |              |                  |          |                  |          |
| VSTP-B032-15901   | 22250.00     |              |                  |          |                  |          |   |         |              |                  |          |                  |          |
| CAT NO.   | M.R.P. (Rs.) |              |                  |          |                  |          |   |         |              |                  |          |                  |          |
| VSTP-B032-101602  | 24440.00     |              |                  |          |                  |          |   |         |              |                  |          |                  |          |
| VSTP-B032-151802  | 29890.00     |              |                  |          |                  |          |   |         |              |                  |          |                  |          |



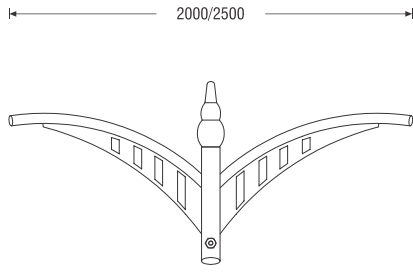
# DECORATIVE BRACKET

Lighting The World 

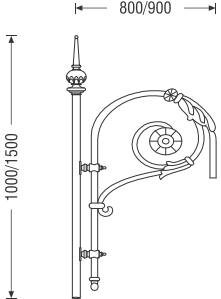
| CAT NO.          | M.R.P. (Rs.) |
|------------------|--------------|
| VSTP-B033-501001 | 6335.00      |
| VSTP-B033-501251 | 7245.00      |

**VSTP - B033**



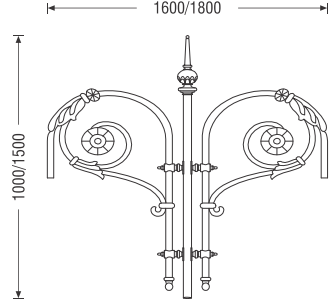
| CAT NO.          | M.R.P. (Rs.) |
|------------------|--------------|
| VSTP-B033-502002 | 9975.00      |
| VSTP-B033-502502 | 11800.00     |

**VSTP - B033**



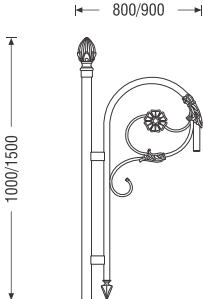
| CAT NO.         | M.R.P. (Rs.) |
|-----------------|--------------|
| VSTP-B034-10801 | 10950.00     |
| VSTP-B034-15901 | 13990.00     |

**VSTP - B034**



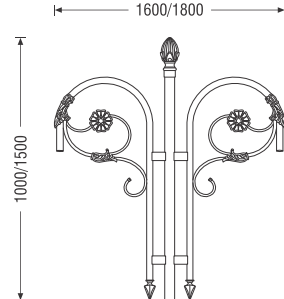
| CAT NO.          | M.R.P. (Rs.) |
|------------------|--------------|
| VSTP-B034-101602 | 15900.00     |
| VSTP-B034-151802 | 21250.00     |

**VSTP - B034**



| CAT NO.         | M.R.P. (Rs.) |
|-----------------|--------------|
| VSTP-B035-10801 | 15650.00     |
| VSTP-B035-15901 | 19100.00     |

**VSTP - B035**




| CAT NO.          | M.R.P. (Rs.) |
|------------------|--------------|
| VSTP-B035-101602 | 23200.00     |
| VSTP-B035-151802 | 26740.00     |

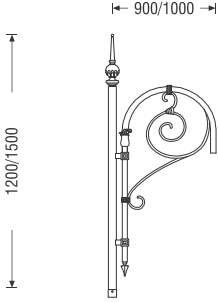
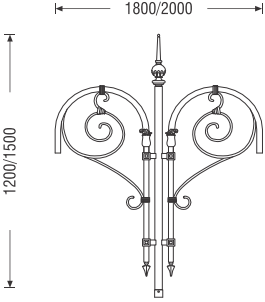
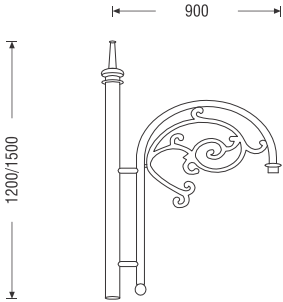
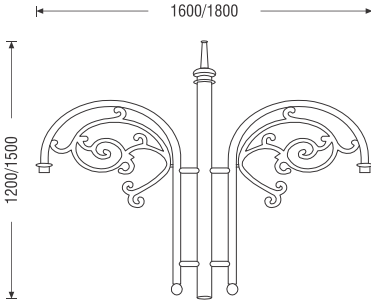
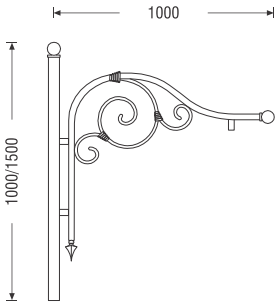
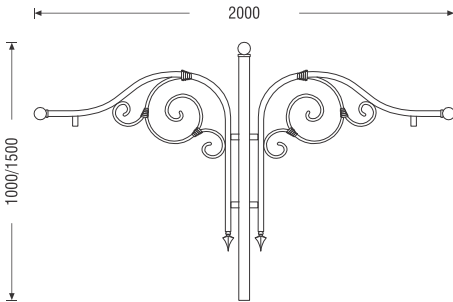
**VSTP - B035**



# DECORATIVE BRACKET

Lighting The World 



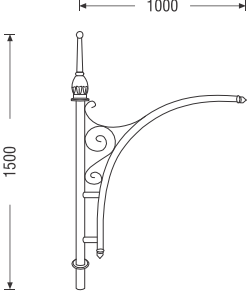
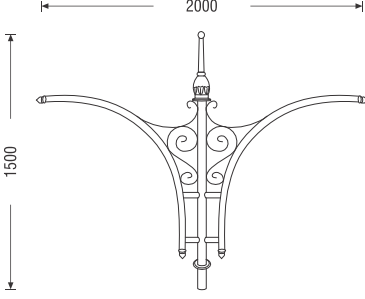
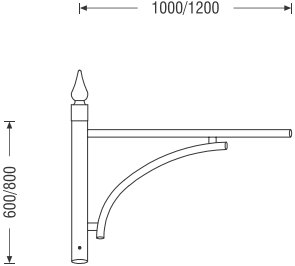
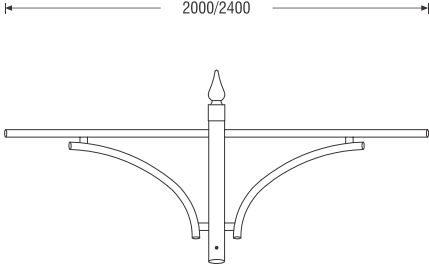
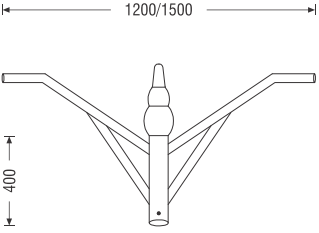
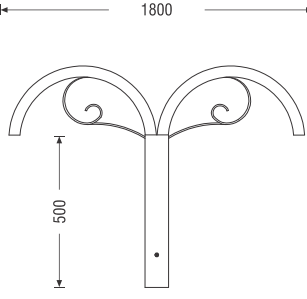
|  <table border="1" data-bbox="162 550 468 624"> <thead> <tr> <th>CAT NO.</th> <th>M.R.P. (Rs.)</th> </tr> </thead> <tbody> <tr> <td>VSTP-B036-12901</td> <td>14100.00</td> </tr> <tr> <td>VSTP-B036-151001</td> <td>18145.00</td> </tr> </tbody> </table> <p style="text-align: right;"><b>VSTP - B036</b></p>      | CAT NO.      | M.R.P. (Rs.) | VSTP-B036-12901  | 14100.00 | VSTP-B036-151001 | 18145.00 |  <table border="1" data-bbox="656 550 961 624"> <thead> <tr> <th>CAT NO.</th> <th>M.R.P. (Rs.)</th> </tr> </thead> <tbody> <tr> <td>VSTP-B036-121802</td> <td>20630.00</td> </tr> <tr> <td>VSTP-B036-152002</td> <td>24830.00</td> </tr> </tbody> </table> <p style="text-align: right;"><b>VSTP - B036</b></p>      | CAT NO. | M.R.P. (Rs.) | VSTP-B036-121802 | 20630.00 | VSTP-B036-152002 | 24830.00 |
|--|--------------|--------------|------------------|----------|------------------|----------|---|---------|--------------|------------------|----------|------------------|----------|
| CAT NO.  | M.R.P. (Rs.) |              |                  |          |                  |          |   |         |              |                  |          |                  |          |
| VSTP-B036-12901  | 14100.00     |              |                  |          |                  |          |   |         |              |                  |          |                  |          |
| VSTP-B036-151001   | 18145.00     |              |                  |          |                  |          |   |         |              |                  |          |                  |          |
| CAT NO.  | M.R.P. (Rs.) |              |                  |          |                  |          |   |         |              |                  |          |                  |          |
| VSTP-B036-121802   | 20630.00     |              |                  |          |                  |          |   |         |              |                  |          |                  |          |
| VSTP-B036-152002   | 24830.00     |              |                  |          |                  |          |   |         |              |                  |          |                  |          |
|  <table border="1" data-bbox="162 963 468 1037"> <thead> <tr> <th>CAT NO.</th> <th>M.R.P. (Rs.)</th> </tr> </thead> <tbody> <tr> <td>VSTP-B037-12901</td> <td>13020.00</td> </tr> <tr> <td>VSTP-B037-15901</td> <td>15950.00</td> </tr> </tbody> </table> <p style="text-align: right;"><b>VSTP - B037</b></p>      | CAT NO.      | M.R.P. (Rs.) | VSTP-B037-12901  | 13020.00 | VSTP-B037-15901  | 15950.00 |  <table border="1" data-bbox="656 963 961 1037"> <thead> <tr> <th>CAT NO.</th> <th>M.R.P. (Rs.)</th> </tr> </thead> <tbody> <tr> <td>VSTP-B037-121802</td> <td>19260.00</td> </tr> <tr> <td>VSTP-B037-152802</td> <td>22250.00</td> </tr> </tbody> </table> <p style="text-align: right;"><b>VSTP - B037</b></p>     | CAT NO. | M.R.P. (Rs.) | VSTP-B037-121802 | 19260.00 | VSTP-B037-152802 | 22250.00 |
| CAT NO.  | M.R.P. (Rs.) |              |                  |          |                  |          |   |         |              |                  |          |                  |          |
| VSTP-B037-12901  | 13020.00     |              |                  |          |                  |          |   |         |              |                  |          |                  |          |
| VSTP-B037-15901  | 15950.00     |              |                  |          |                  |          |   |         |              |                  |          |                  |          |
| CAT NO.  | M.R.P. (Rs.) |              |                  |          |                  |          |   |         |              |                  |          |                  |          |
| VSTP-B037-121802   | 19260.00     |              |                  |          |                  |          |   |         |              |                  |          |                  |          |
| VSTP-B037-152802   | 22250.00     |              |                  |          |                  |          |   |         |              |                  |          |                  |          |
|  <table border="1" data-bbox="162 1376 468 1450"> <thead> <tr> <th>CAT NO.</th> <th>M.R.P. (Rs.)</th> </tr> </thead> <tbody> <tr> <td>VSTP-B038-101001</td> <td>14010.00</td> </tr> <tr> <td>VSTP-B038-151001</td> <td>16425.00</td> </tr> </tbody> </table> <p style="text-align: right;"><b>VSTP - B038</b></p> | CAT NO.      | M.R.P. (Rs.) | VSTP-B038-101001 | 14010.00 | VSTP-B038-151001 | 16425.00 |  <table border="1" data-bbox="656 1376 961 1450"> <thead> <tr> <th>CAT NO.</th> <th>M.R.P. (Rs.)</th> </tr> </thead> <tbody> <tr> <td>VSTP-B038-102002</td> <td>20200.00</td> </tr> <tr> <td>VSTP-B038-152002</td> <td>22585.00</td> </tr> </tbody> </table> <p style="text-align: right;"><b>VSTP - B038</b></p> | CAT NO. | M.R.P. (Rs.) | VSTP-B038-102002 | 20200.00 | VSTP-B038-152002 | 22585.00 |
| CAT NO.  | M.R.P. (Rs.) |              |                  |          |                  |          |   |         |              |                  |          |                  |          |
| VSTP-B038-101001   | 14010.00     |              |                  |          |                  |          |   |         |              |                  |          |                  |          |
| VSTP-B038-151001   | 16425.00     |              |                  |          |                  |          |   |         |              |                  |          |                  |          |
| CAT NO.  | M.R.P. (Rs.) |              |                  |          |                  |          |   |         |              |                  |          |                  |          |
| VSTP-B038-102002   | 20200.00     |              |                  |          |                  |          |   |         |              |                  |          |                  |          |
| VSTP-B038-152002   | 22585.00     |              |                  |          |                  |          |   |         |              |                  |          |                  |          |



# DECORATIVE BRACKET

Lighting The World 



|  <table border="1" data-bbox="162 574 464 624"> <thead> <tr> <th>CAT NO.</th> <th>M.R.P. (Rs.)</th> </tr> </thead> <tbody> <tr> <td>VSTP-B039-151001</td> <td>20135.00</td> </tr> </tbody> </table> <p style="text-align: right;"><b>VSTP - B039</b></p>   | CAT NO.      | M.R.P. (Rs.) | VSTP-B039-151001 | 20135.00 |  <table border="1" data-bbox="652 574 954 624"> <thead> <tr> <th>CAT NO.</th> <th>M.R.P. (Rs.)</th> </tr> </thead> <tbody> <tr> <td>VSTP-B039-152002</td> <td>27075.00</td> </tr> </tbody> </table> <p style="text-align: right;"><b>VSTP - B039</b></p> | CAT NO.  | M.R.P. (Rs.)   | VSTP-B039-152002 | 27075.00     |                  |          |                  |          |
|---|--------------|--------------|------------------|----------|---|----------|--|------------------|--------------|------------------|----------|------------------|----------|
| CAT NO.   | M.R.P. (Rs.) |              |                  |          |   |          |  |                  |              |                  |          |                  |          |
| VSTP-B039-151001  | 20135.00     |              |                  |          |   |          |  |                  |              |                  |          |                  |          |
| CAT NO.   | M.R.P. (Rs.) |              |                  |          |   |          |  |                  |              |                  |          |                  |          |
| VSTP-B039-152002  | 27075.00     |              |                  |          |   |          |  |                  |              |                  |          |                  |          |
|  <table border="1" data-bbox="162 966 464 1037"> <thead> <tr> <th>CAT NO.</th> <th>M.R.P. (Rs.)</th> </tr> </thead> <tbody> <tr> <td>VSTP-B040-601001</td> <td>6685.00</td> </tr> <tr> <td>VSTP-B040-801201</td> <td>8505.00</td> </tr> </tbody> </table> <p style="text-align: right;"><b>VSTP - B040</b></p>     | CAT NO.      | M.R.P. (Rs.) | VSTP-B040-601001 | 6685.00  | VSTP-B040-801201  | 8505.00  |  <table border="1" data-bbox="652 966 954 1037"> <thead> <tr> <th>CAT NO.</th> <th>M.R.P. (Rs.)</th> </tr> </thead> <tbody> <tr> <td>VSTP-B040-602002</td> <td>10325.00</td> </tr> <tr> <td>VSTP-B040-802402</td> <td>13055.00</td> </tr> </tbody> </table> <p style="text-align: right;"><b>VSTP - B040</b></p> | CAT NO.          | M.R.P. (Rs.) | VSTP-B040-602002 | 10325.00 | VSTP-B040-802402 | 13055.00 |
| CAT NO.   | M.R.P. (Rs.) |              |                  |          |   |          |  |                  |              |                  |          |                  |          |
| VSTP-B040-601001  | 6685.00      |              |                  |          |   |          |  |                  |              |                  |          |                  |          |
| VSTP-B040-801201  | 8505.00      |              |                  |          |   |          |  |                  |              |                  |          |                  |          |
| CAT NO.   | M.R.P. (Rs.) |              |                  |          |   |          |  |                  |              |                  |          |                  |          |
| VSTP-B040-602002  | 10325.00     |              |                  |          |   |          |  |                  |              |                  |          |                  |          |
| VSTP-B040-802402  | 13055.00     |              |                  |          |   |          |  |                  |              |                  |          |                  |          |
|  <table border="1" data-bbox="162 1379 464 1450"> <thead> <tr> <th>CAT NO.</th> <th>M.R.P. (Rs.)</th> </tr> </thead> <tbody> <tr> <td>VSTP-B041-401201</td> <td>9520.00</td> </tr> <tr> <td>VSTP-B041-401501</td> <td>11340.00</td> </tr> </tbody> </table> <p style="text-align: right;"><b>VSTP - B041</b></p> | CAT NO.      | M.R.P. (Rs.) | VSTP-B041-401201 | 9520.00  | VSTP-B041-401501  | 11340.00 |  <table border="1" data-bbox="652 1379 954 1428"> <thead> <tr> <th>CAT NO.</th> <th>M.R.P. (Rs.)</th> </tr> </thead> <tbody> <tr> <td>VSTP-B042-501801</td> <td>7300.00</td> </tr> </tbody> </table> <p style="text-align: right;"><b>VSTP - B042</b></p>   | CAT NO.          | M.R.P. (Rs.) | VSTP-B042-501801 | 7300.00  |                  |          |
| CAT NO.   | M.R.P. (Rs.) |              |                  |          |   |          |  |                  |              |                  |          |                  |          |
| VSTP-B041-401201  | 9520.00      |              |                  |          |   |          |  |                  |              |                  |          |                  |          |
| VSTP-B041-401501  | 11340.00     |              |                  |          |   |          |  |                  |              |                  |          |                  |          |
| CAT NO.   | M.R.P. (Rs.) |              |                  |          |   |          |  |                  |              |                  |          |                  |          |
| VSTP-B042-501801  | 7300.00      |              |                  |          |   |          |  |                  |              |                  |          |                  |          |















## *Terms & Conditions*

---

- All prices are subject to our general terms and conditions of business.
- Prices are exclusive of GST as per prevailing rates, octroi and other local levies, if any which shall be charged extra as applicable at the time of dispatch.
- Any statutory variation will be customer's account.
- Maximum Retail Price (MRP) wherever mentioned are inclusive of GST as per the prevailing rates.
- All prices of luminaires are per unit basis and without lamps.
- The image depicted in the price reckoner may vary from the actual product.
- Warranty voids for LED fixtures including drivers, if individual points of installations are not provided with proper earthing.
- Dealers may sell at prices lower than the LIST PRICE and M.R.P.
- Prices are subject to change without any prior notice as per company discretion.
- The price reckoner supersedes all earlier price reckoners.
- Disputes if any will be subject to HISAR jurisdiction only.
- The Goods remain the property of VIPIN S.T. POLES. PVT. LTD. till receipt of the Invoice value.

VIPIN S.T. POLES PVT. LTD. reserves the right of continues improvement in product to modify technical specification or dimensions in order to archive product enhancement without prior notice.

---

---



## *Manufacturer of*

- *Post Top LED Luminaires*
- *Drop Down LED Luminaires*
- *LED Street Lights*
- *LED Flood Lights*
- *Bollard Luminaires*
- *Landscape Lighting*
- *Cast Aluminum/ Cast Iron & Ornamental Decorative Poles*
- *Decorative Bracket*
- *Octagonal Poles*
- *High Mast Poles*
- *Flag Mast Poles*
- *Swaged Poles*
- *Electrical Control Panel*

## **VIPIN S.T. POLES PVT. LTD.**

**Regd. Off. :** Hansi-Kharar Road, Vill. Kutubpur, Hisar-125044 (Hry.)

**Works :** Unit-II, Bugana Road, Vill. Sulkhani, Hisar-125121

**E-mail :** [gechissar@gmail.com](mailto:gechissar@gmail.com) | [vsphighmast@yahoo.com](mailto:vsphighmast@yahoo.com) | [info@vsphightmast.com](mailto:info@vsphightmast.com)

**Website :** [www.vsphighmast.com](http://www.vsphighmast.com)