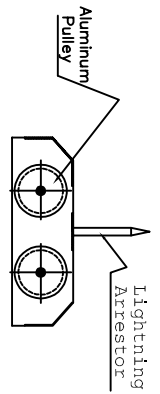
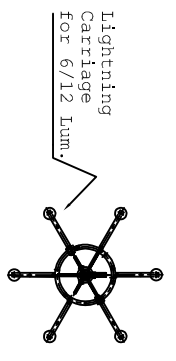


DO NOT SCALE PRINT DRG. IF IN DOUBT PLEASE ASK

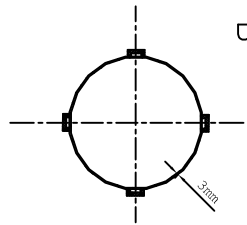


ENLARGED VIEW OF 'B'

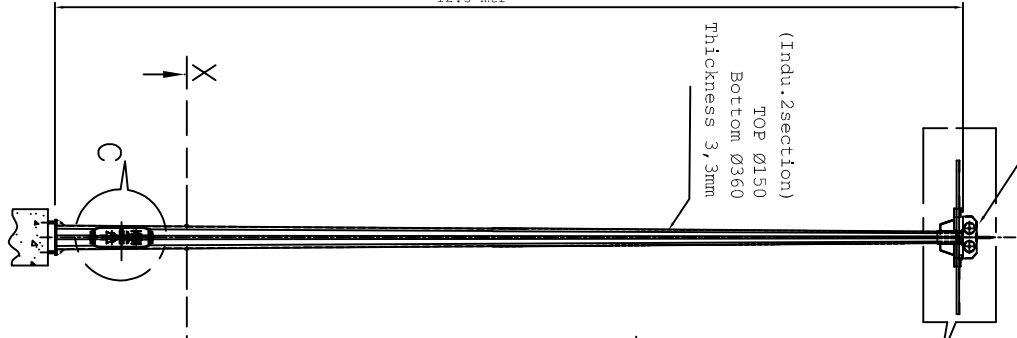
HEAD = 3 Suspension

(Indu. 2 section)  
TOP Ø150  
Bottom Ø360  
Thickness 3, 3mm

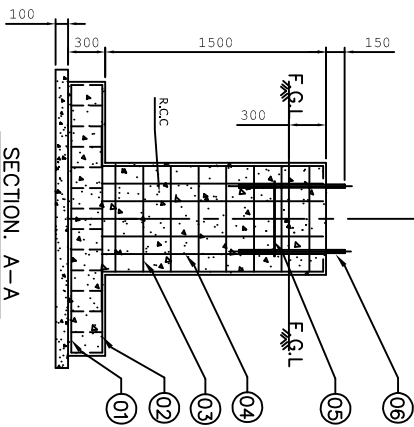
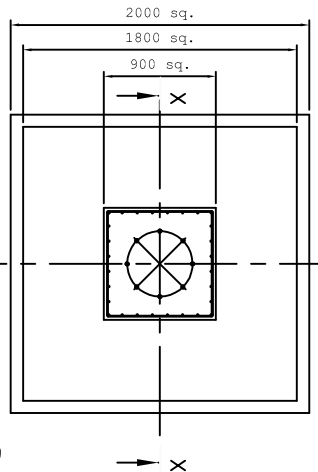
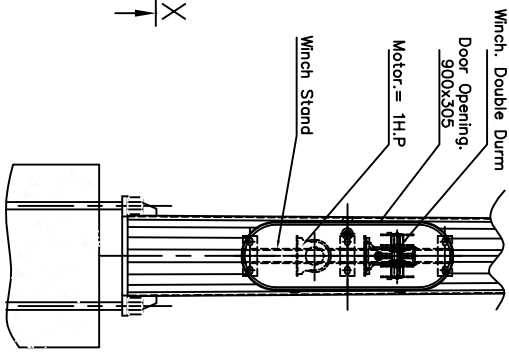
SECTION X-X



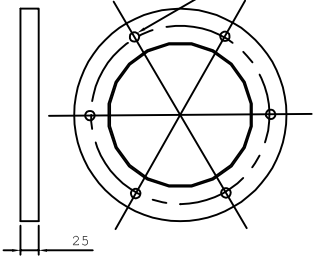
FRONT VIEW



ENLARGED VIEW OF 'C'



M24X830 LONG-6N0S  
P.C.D. Ø 445mm  
O.D. 520mm



BASE PLATE DETAIL

TOLERANCE: -

- 1) A/F Top & Bottom ±4%
- 2) Length ±1.2%
- 3) Pole Straightness ±0.3%
- 4) Thickness ±2%

SR.NO.	DESCRIPTION	SIZE S.	MAT.	QTY.	MAT.
06	FOUND. BOLT	BOLT Ø. 24mm BOLT LENGTH. 830mm		6	
05	ANCHOR PLATE	OD. Ø520mm P.C.D. Ø445mm HOLE QTY. 6 HOLE DIA. Ø26mm PLATE THK. 3mm		01	
04	VERTICAL 'L'	Ø12x1770	M.S	20	
03	SQUARE RING	Ø8x3300	M.S	10	
02	'U'	Ø10x2000	M.S	12	
01	'U'	Ø10x2000	M.S	12	

NOTES: -

- 1) All dimensions are in mm
- 2) Length of section  
a) 6500 b) 6500
- 3) Metal Protection  
Hot Dip Galvanized Average 70 Micron as per IS - 2629:1996.
- 4) Metal of Shaft -  
Hot Rolled MS Plate Equivalent to IS 2062 Gr. E-250A.
- 5) Metal Base Plate & Foundation Bolt -  
As per IS 2062, Gr. E-250A.
- 6) Make of the most shall be VSTP.



VIPIN S. T. POLES PVT. LTD.  
OFFICE/WORKS : Village Kurubpur, Hissar  
Villages Sukrandi, Hissar  
Distt. Hisar, Haryana  
E-mail : vsp@highnet.com

DRAWN BY	Bhoop Singh	Title	Drawing of 12.5 Mtr. High Mast	PROJECTION	
CHECKED BY	Dhananveer	Client Name: -		SCALE	N.T.S
APPROVED BY				SHEET NO.	1 OF 1
				D.No.	Date