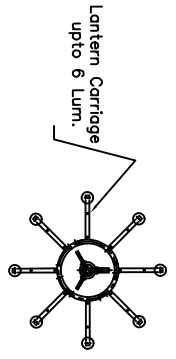
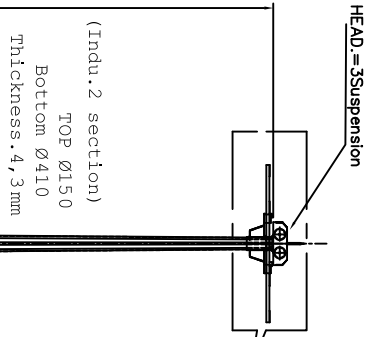


DO NOT SCALE PRINT DRG, IF IN DOUBT PLEASE ASK

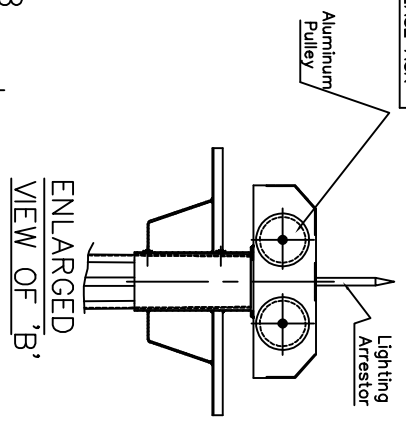
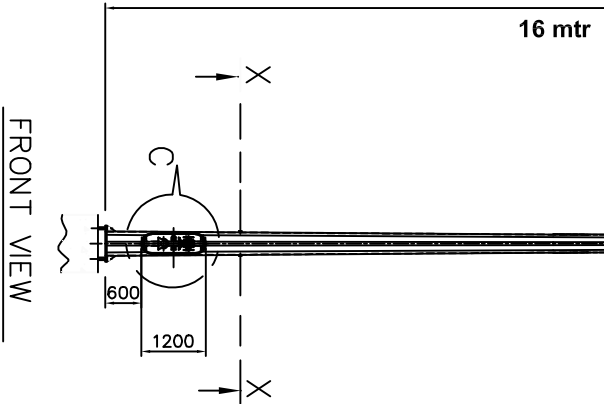


Lantern Carriage upto 6 Lum.

HEAD = 3S Suspension

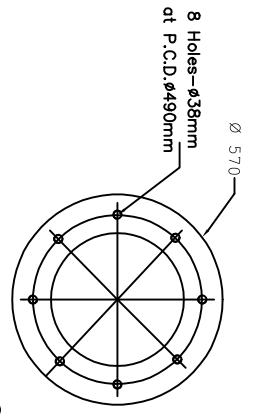
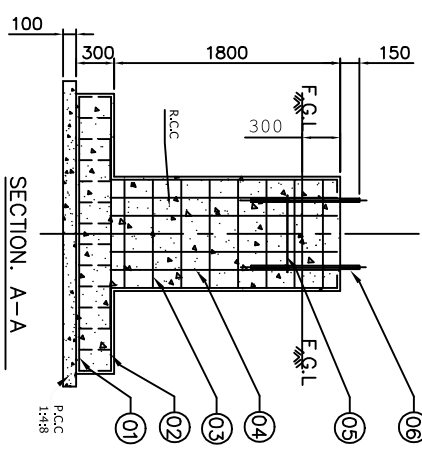
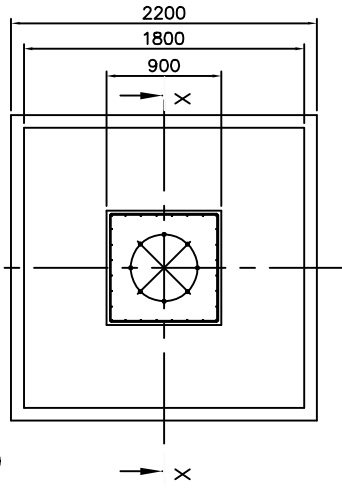


(Indu. 2 section)  
TOP Ø150  
Bottom Ø410  
Thickness - 4, 3mm

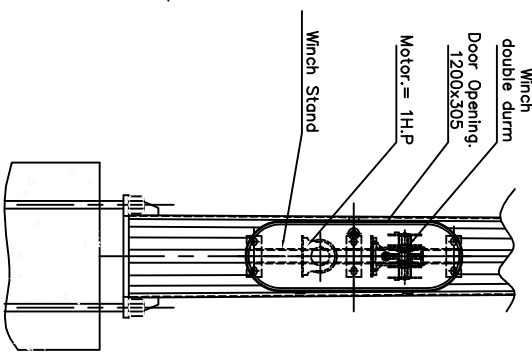


Aluminum Pulley

Lighting Arrester



BASE PLATE



TOLERANCE:-

- 1) A/F Top & Bottom  $\pm$ 4%
- 2) Length  $\pm$ 1.2%
- 3) Pole Straightness  $\pm$ 0.3%

SR.NO.	DESCRIPTION	SIZE S.	MAT.	QTY.	BOLT QTY.	
					BOLT $\phi$ .	BOLT LENGTH.
06	FOUND. BOLT			8	30mm	850mm
05	P.C.D. ANCHOR PLATE HOLE DIA			01	$\phi$ 570mm	
					$\phi$ 490mm	
					HOLE QTY. 8	
					PLATE THK. 5mm	
04	VERTICAL 'L' $\phi$ STEEL	$\phi$ 12x2050	M.S	20	1750	
03	'SQUARE' RING $\phi$ STEEL	$\phi$ 8x3300	M.S	10	800	
02	'U' $\phi$ STEEL	$\phi$ 10x2000	M.S	20	1800	
01	'U' $\phi$ STEEL	$\phi$ 10x2000	M.S	20	1800	

NOTES:-

- 1) All dimensions are in mm
- 2) Length of section
- 3) 8300 b) 8300
- 4) Metal Protection  
Hot Dip Galvanized as per IS 2629..
- 5) Metal of Shaft -  
Hot Rolled MS Plate Equivalent  
As per IS 2062, Gr. E-250A.
- 6) Metal Base Plate & Foundation Bolt -  
As per IS 2062, Gr. E-250A.
- 6) Make of the mast shall be VSTP.

**VSP LIGHTING**  
VPIN S.T. POLES PVT.LTD.  
WORKS : Village Kutubpur, Hisar  
E-mail : gechisar@gmail.com  
Website : www.vsphighmast.com

DRAWN BY Sanjay Kumar	Client Name:-	TITLE: Detail of 16mtr High Mast Pole	PROJECTION SCALE 1 of 1
CHECKED BY Dharamveer	D.No.		
APPROVED BY	Date		