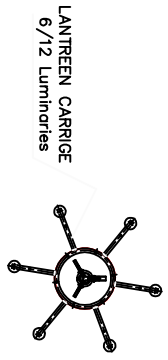
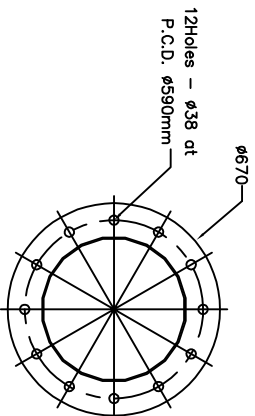
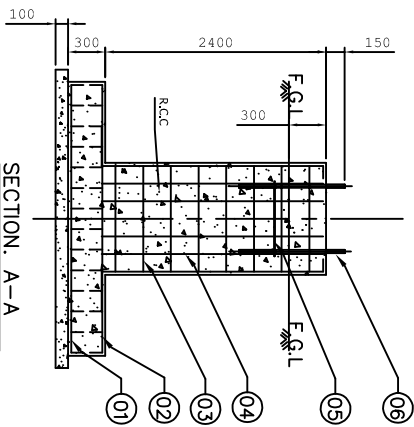
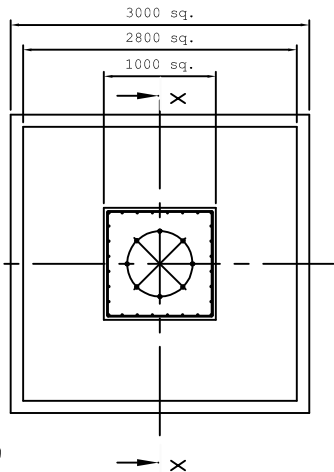
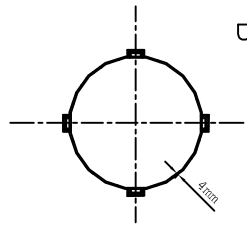
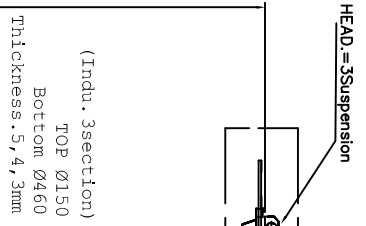


DO NOT SCALE PRINT DRG. IF IN DOUBT PLEASE ASK



HEAD = 3 Suspension



BASE PLATE
DETAIL

TOLERANCE: -

- 1) A/F Top & Bottom ±4%
- 2) Length ±1.2%
- 3) Pole Straightness ±0.3%

SR.NO.	DESCRIPTION	SIZE'S.	MAT.	QTY.	MAT.
06	FOUND. BOLT	BOLT Ø. 30mm BOLT LENGTH. 850mm		12	
05	P.C.D. ANCHOR PLATE	OD. Ø670mm P.C.D. Ø590mm HOLE QTY. 12 HOLE DIA. Ø32mm THK. 3mm		01	
04	VERTICAL 'L' STEEL	Ø12x2720	M.S	28	
03	'SQUARE' RING STEEL	Ø8x3900	M.S	12	
02	'U' STEEL	Ø10x2950	M.S	28	
01	'U' STEEL	Ø10x2950	M.S	28	

NOTES: -

- 1) All dimensions are in mm
- 2) Length of section a) 8833 b) 8833 c) 8833
- 3) Metal Protection Hot Dip Galvanized as per IS-2629.
- 4) Material Shaft - Hot Rolled MS Plate Equivalent to BSEN 10025 S355J0 /IS-2062 Gr. 350A.
- 5) Material Base Plate & Foundation - Bolt as per IS 2062 Gr. E250A.
- 6) Make of the mast shall be VSTP.



VIPIN S.T. POLES PVT.LTD.
WORKS : Village Kurubpur, Hissar
Website : www.vspilightmast.com
E-mail : gecliasor@gmail.com

DRAWN BY Sanjay Kumar	Title: Detail of 25 mtr High Mast Pole	PROJECTION SCALE	1 OF 1
CHECKED BY Dhananveer	Client Name: -	SHEET NO.	
APPROVED BY	Date		